

1 2 3 4 5 6 7

A B C D E F

Technical drawings of a USB connector showing side, front, and detail views with dimensions.

- Side view: Dimensions include 3.16, 3.76, 14.55, 8.94, 5.82, 1.20±0.05(4X), 4.80±0.10, and 12.90±0.10.
- Front view: Dimensions include 2.56±0.04, 8.34±0.06, 6.00±0.10, 0.78±0.10, 2.86, 0.90, 1.70, 2.50, 4.57, and 0.45±0.05.
- Detail view: Dimensions include 5.85, 5.30, 0.90, and 0.45±0.05.

NOTE:

- MATERIAL SPECIFICATION:
  - HOUSING: PA9T,UL94 V-0. BLACK
  - CONTACTS: COPPER ALLOY(C1814)
  - MID PLATE: STAINLESS STEEL(SUS301)
  - FRONT SHELL: STAINLESS STEEL(SUS304)
  - EMI PLATE: STAINLESS STEEL(SUS304)
- PLATING SPECIFICATION:
  - TERMINAL:
    - Ni 50u" MIN. UNDER PLATED OVER ALL.
    - Au PLATED ON THE CONTACT AREA (GOLD PLATING THICKNESS FOLLOW THE P/N)
    - PLATING SPECIFICATIONS OF THE SOLDER AREA FOLLOW THE P/N
  - FRONT SHELL:
    - Ni 30u" MIN. UNDER PLATED OVER ALL.
  - MID PLATE&EMI PLATE:
    - NO PLATING
- MECHANICAL PERFORMANCE,
  - INSERTION FORCE: 0.5~2.0kgf.
  - REMOVAL FORCE: 0.8kgf~2.0kgf.
  - DURABILITY: 10000 CYCLES.
- ELECTRICAL PERFORMANCE,
  - VOLTAGE RATING: 5 V DC/AC (RMS. max)  
CURRENT RATING: 5 AMPS. FOR TOTAL VBUS/GND PINS;  
1.25AMPS FOR CC PIN,0.25 AMPS. FOR ALL OTHER CONTACT.
  - LLCR:
    - VBUS & GND PINS AND OTHER PINS: 40mΩ/PIN MAX.
    - SHIELD: 50mΩ/MAX.
    - LLCR MAX. CHANGE OF ALL PINS: 10mΩ.
  - INSULATION RESISTANCE: 100MΩ MIN
  - DIELECTRIC WITHSTAND VOLTAGE,AC 100V FOR 1 MINUTE.
- ENVIRONMENTAL PERFORMANCE:
  - OPERATING TEMPERATURE: -25°C~+85°C.
- IR REFLOW:
  - THE PEAK TEMPERATURE ON THE BOARD SHALL BE MAINTAINED FOR 10 SECONDS AT 260°C.

**RoHS compliant**  
Unit: mm

|   |           |              |      |      |                            |            |           |   |
|---|-----------|--------------|------|------|----------------------------|------------|-----------|---|
| G | Scale     | Free         | Date | Name | Description: USB Connector |            |           |   |
|   | TOLERANCE |              |      |      | Drawn                      | 06.05.2022 | Luca      | USB2.0 TYPE C / FEMALE / SIDE-MOUNTED/CAP |
|   | X.X       | ±0.38        |      |      | Approved                   | 06.05.2022 | Luca      | ASSMANN WSW-No.                           |
|   | X.XX      | ±0.25        |      |      |                            |            |           | A-USBC-20F0-EV-GRR02                      |
| H | X.XXX     | ±0.15        |      |      | Drawing-No.                |            |           |   |
|   | DIM       | TOL          |      |      | ASS 9295 CO                |            | rev00     |   |
|   | X°        | ±2°          |      |      | Customer-No.               |            | Sheet 1/3 |   |
|   | ①         | Drawn        |      |      | 06.05.2022                 | Luca       |           |   |
|   | Id.       | Modification | Date | Name |                            |            |           |   |

1 2 3 4 5 6 7

SV5151

1

2

3

4

5

6

7

A

B

C

D

E

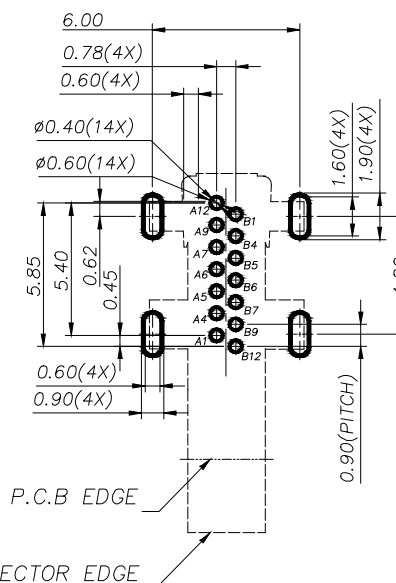
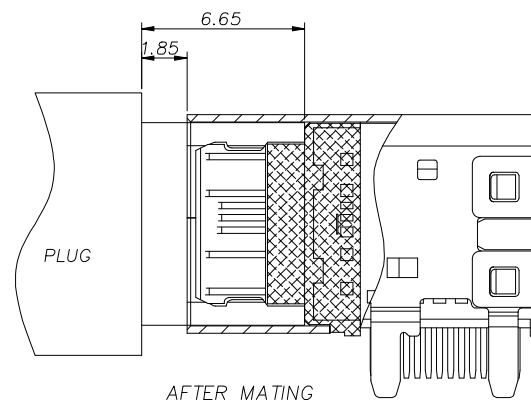
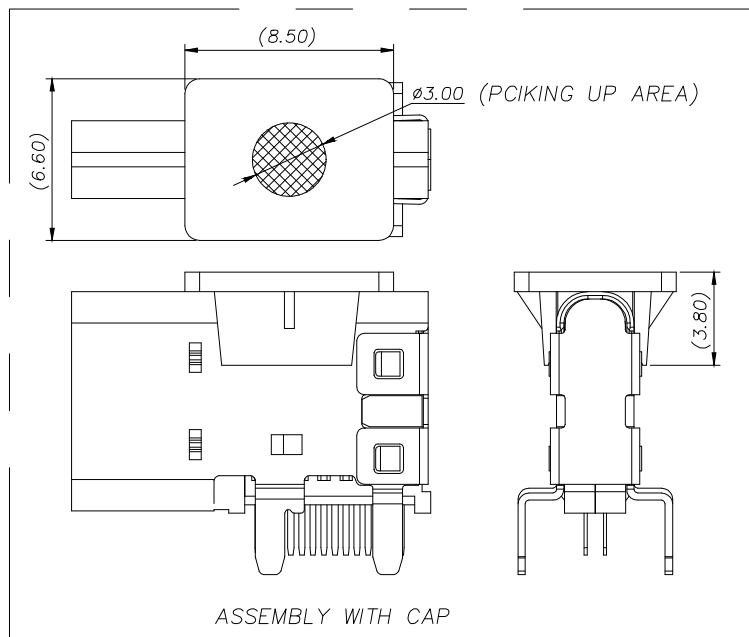
F

G

H

## USB TYPE-C PIN ASSIGNMENTS

| PIN NUMBER | SIGNAL NAME | PIN NUMBER | SIGNAL NAME |
|------------|-------------|------------|-------------|
| A1         | GND         | B12        | GND         |
| A4         | VBUS        | B9         | VBUS        |
| A5         | CC1         |            |             |
| A6         | Dp1         | B7         | Dn2         |
| A7         | Dn1         | B6         | Dp2         |
|            |             | B5         | CC2         |
| A9         | VBUS        | B4         | VBUS        |
| A12        | GND         | B1         | GND         |



RECOMMENDED PCB LAYOUT(TOP VIEW)  
THICKNESS 1.6±0.10MM; DEFAULT TOLERANCE: ±0.05

**RoHS compliant**  
Unit: mm

Scale Free

TOLERANCE

X.X ±0.38

X.XX ±0.25

X.XXX ±0.15

DIM TOL

X° ±2°

①

Drawn

06.05.2022

Luca

Id.

Modification

Date

Name

**ASSMANN**  
WSW components

Date

06.05.2022

Name

Luca

Description: USB Connector

USB2.0 TYPE C / FEMALE / SIDE-MOUNTED/CAP

ASSMANN WSW-No.

A-USBC-20F0-EV-GRR02

Drawing-No.

ASS 9295 CO

rev00

Customer-No.

Sheet  
2/3

1

2

3

4

5

6

7

SV5151

1

2

3

4

5

6

7

A

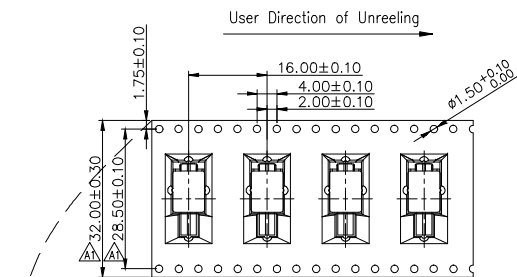
B

C

D

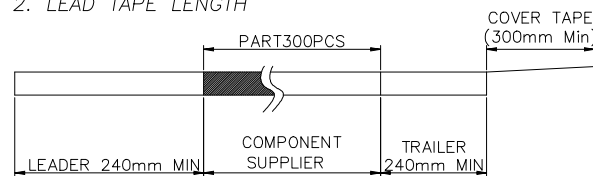
E

F

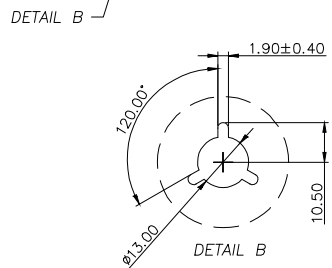
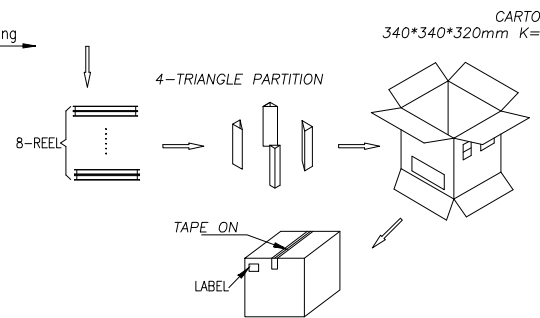
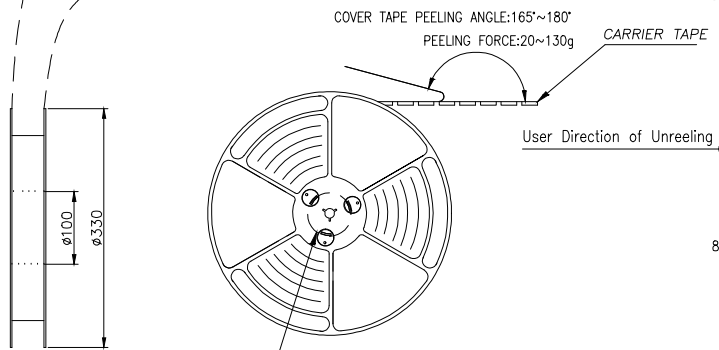


NOTES

- 1. NUMBER OF CONNECTORS: 300PCS/REEL
- 2. LEAD TAPE LENGTH



3. QUANTITY: 2400PCS/CARTON



**RoHS compliant**  
Unit: mm

|           |       |     |              |  |            |          |            |      |
|-----------|-------|-----|--------------|--|------------|----------|------------|------|
| Scale     | Free  |     |              |  |            |          | Date       | Name |
| TOLERANCE |       |     |              |  |            | Drawn    | 06.05.2022 | Luca |
| X.X       | ±0.38 |     |              |  |            | Approved | 06.05.2022 | Luca |
| X.XX      | ±0.25 |     |              |  |            |          |            |      |
| X.XXX     | ±0.15 |     |              |  |            |          |            |      |
| DIM       | TOL   |     |              |  |            |          |            |      |
| X°        | ±2°   |     |              |  |            |          |            |      |
|           |       | ①   | Drawn        |  | 06.05.2022 | Luca     |            |      |
|           |       | Id. | Modification |  | Date       | Name     |            |      |

|   |             |
|---|-------------|
| Description: USB Connector                |             |
| USB2.0 TYPE C / FEMALE / SIDE-MOUNTED/CAP |             |
| ASSMANN WSW-No. A-USBC-20F0-EV-GRR02      |             |
| Drawing-No.                               | ASS 9295 CO |
| Customer-No.                              | rev00       |
|   | Sheet 3/3   |

1

2

3

4

5

6

7