

1

2

3

4

5

6

7

A

A

B

B

C

C

D

D

E

E

F

F

NOTE:

1.MATERIAL

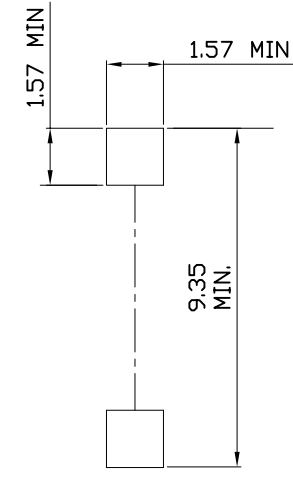
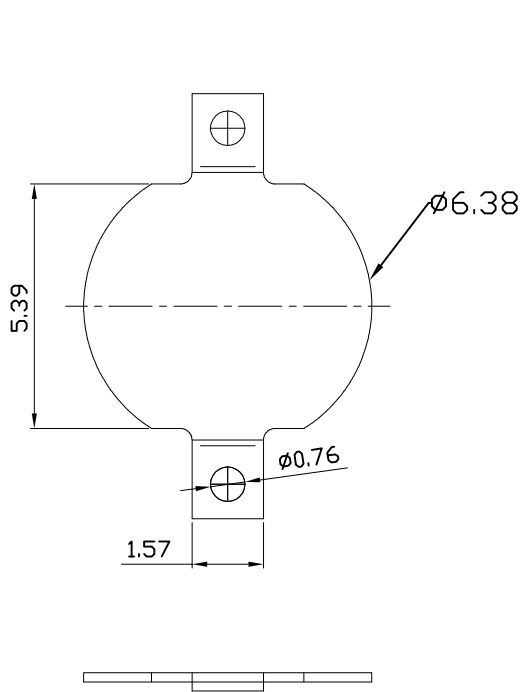
1.1 Contact:Copper Alloy,Tin 120u"Min over Nickel

2.ELECTRIC

2.1 Contact Resistance:30 Milliohms Max.
2.2 Insulation Resistance:1000 Mega Ohms Min.
2.3 Dielectric Voltage:500V AC one Sec Level.

3.Operating Temperature:-40°C To +105°C

4.Packing:Tape & Reel



PCB Layout



G

G

RoHS compliant
unit:mm

Scale	Free
TOLERANCE	
X.	±0.35
.X	±0.25
.XX	±0.20
.XXX	±0.15
DIM	TOL
Angle	TOL

①	Drawn	05.09.2022	Winnie
ld.	modification	Date	Name

Date
 Name
 Drawn 05.09.2022 Winnie
 Approved 05.09.2022 Winnie
ASSMANN
 WSW components

Description: Battery Negative	
ASSMANN WSW-NO. A-BAT-CH-00-EA-ZSR1	
Drawing-No. ASS 9374 CO	rev00
Customer-No.	SHEET 1 / 1

1

2

3

4

5

6

7

H

H