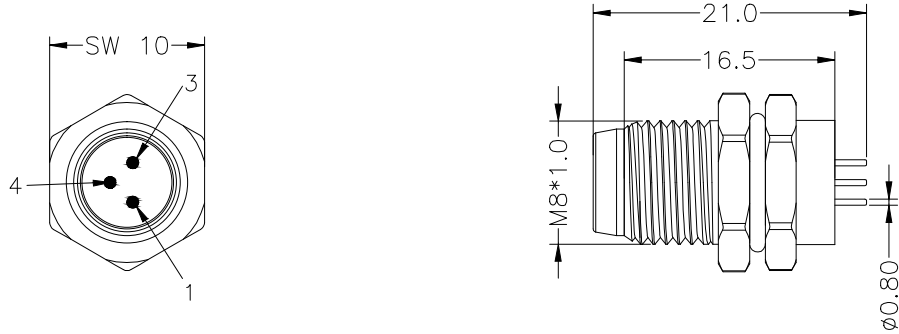
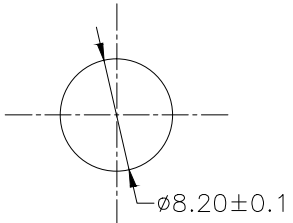
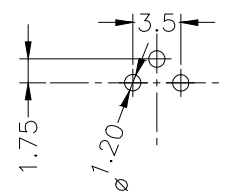
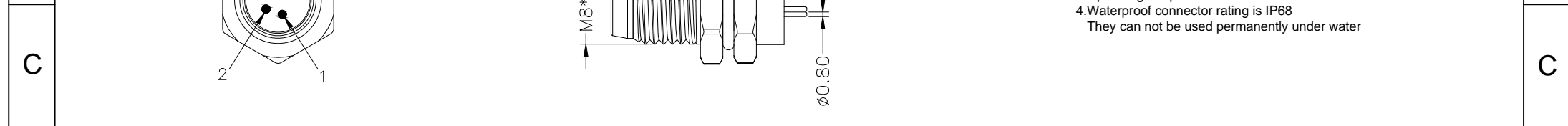
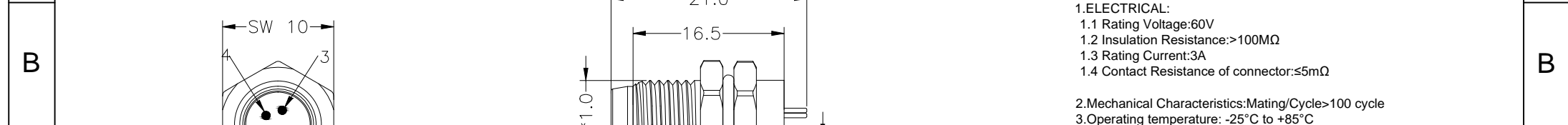


A	 <p style="text-align: right;"><b>NOTE:</b></p> <p><b>1.ELECTRICAL:</b></p> <p>1.1 Rating Voltage:60V          1.2 Insulation Resistance:&gt;100MΩ          1.3 Rating Current:3A          1.4 Contact Resistance of connector:≤5mΩ</p> <p><b>2.Mechanical Characteristics:</b>Mating/Cycle&gt;100 cycle          3.Operating temperature: -25°C to +85°C          4.Waterproof connector rating is IP68          They can not be used permanently under water</p>						A																								
B							B																								
C							C																								
D							D																								
E	 <p>RECOMMEND PANEL CUT-OUT</p>	E																													
F	 <p>RECOMMENDED PCB LAYOUT</p>	F																													
F	<table border="1" style="width:100%; border-collapse: collapse;"> <tr> <td style="width:5%;">⑤</td> <td style="width:85%;">BLACK EPOXY RESIN</td> <td style="width:5%;">1</td> <td style="width:5%;">g</td> </tr> <tr> <td>④</td> <td>M8*1.0 BRASS PLATED NI NUT L*W=2.0*10mm</td> <td>1</td> <td>PCS</td> </tr> <tr> <td>③</td> <td>M8 GREEN FKM CIRCLE Ø7.00*1.5mm</td> <td>1</td> <td>PCS</td> </tr> <tr> <td>②</td> <td>M8 BRASS PLATED NI MALE FRONT MOUNT</td> <td>1</td> <td>PCS</td> </tr> <tr> <td>①</td> <td>M8 A CODING 3PIN MALE CONNECTOR</td> <td>1</td> <td>SET</td> </tr> <tr> <td>ITEM</td> <td>SPECIFICATION</td> <td>Q'TY</td> <td>UNIT</td> </tr> </table>						⑤	BLACK EPOXY RESIN	1	g	④	M8*1.0 BRASS PLATED NI NUT L*W=2.0*10mm	1	PCS	③	M8 GREEN FKM CIRCLE Ø7.00*1.5mm	1	PCS	②	M8 BRASS PLATED NI MALE FRONT MOUNT	1	PCS	①	M8 A CODING 3PIN MALE CONNECTOR	1	SET	ITEM	SPECIFICATION	Q'TY	UNIT	F
⑤	BLACK EPOXY RESIN	1	g																												
④	M8*1.0 BRASS PLATED NI NUT L*W=2.0*10mm	1	PCS																												
③	M8 GREEN FKM CIRCLE Ø7.00*1.5mm	1	PCS																												
②	M8 BRASS PLATED NI MALE FRONT MOUNT	1	PCS																												
①	M8 A CODING 3PIN MALE CONNECTOR	1	SET																												
ITEM	SPECIFICATION	Q'TY	UNIT																												

G	RoHS compliant unit:mm	Scale	Free				Date	Name	Description: M8 Circular Connector Male 3Pin Front Mount		G	
		TOLERANCE					Drawn	19.05.2022	Peter			
		.X	±0.50				Approved	19.05.2022	Peter	ASSMANN WSW-NO.		
		.XX	±0.20						<b>A-M08-03-MGMA-GTB3</b>			
H		DIM	TOL						Drawing-No.	ASS 9390 CO	rev00	
		X.°	±2.0°				<b>ASSMANN</b> WSW components		Customer-No.	SHEET 1 / 10		
		.X°	±1.0°									
		Angle	TOL	Id.	modification	Date			Name			

A



**NOTE:**  
 1.ELECTRICAL:  
 1.1 Rating Voltage:60V  
 1.2 Insulation Resistance:>100MΩ  
 1.3 Rating Current:3A  
 1.4 Contact Resistance of connector:≤5mΩ  
 2.Mechanical Characteristics:Mating/Cycle>100 cycle  
 3.Operating temperature: -25°C to +85°C  
 4.Waterproof connector rating is IP68  
 They can not be used permanently under water



RECOMMEND  
PANEL CUT-OUT

RECOMMENDED  
PCB LAYOUT

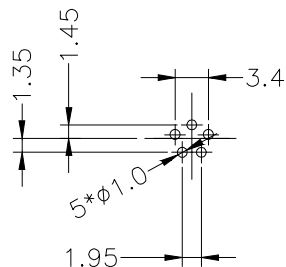
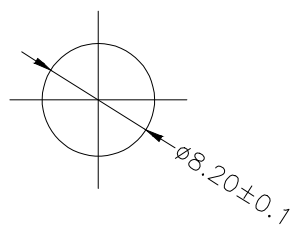
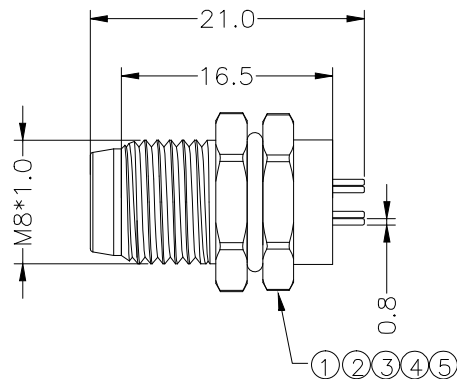
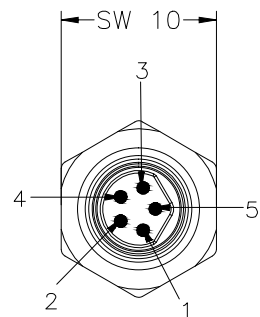
⑤	BLACK EPOXY RESIN	1	g
④	M8*1.0 BRASS PLATED NI NUT L*W=2.0*10mm	1	PCS
③	M8 GREEN FKM CIRCLE 7.00*1.5mm	1	PCS
②	M8 BRASS PLATED NI MALE FRONT MOUNT	1	PCS
①	M8 A CODING 4PIN MALE CONNECTOR	1	SET
ITEM	SPECIFICATION	Q'TY	UNIT

E

F

G	RoHS compliant unit:mm	Scale	Free	Date	Name	Description: M8 Circular Connector Male 4Pin Front Mount	
		TOLERANCE					
		.X	±0.50				
		.XX	±0.20				
H	DIM	TOL	Drawing-No. ASS 9390 CO rev00	Date	Name	Customer-No.	
		X.°					±2.0°
		.X°					±1.0°
		Angle					TOL

H	ASSMANN WSW components	① Drawn	19.05.2022	Peter	SHEET 2 / 10
		Id. modification	Date	Name	



RECOMMEND  
PANEL CUT-OUT

RECOMMENDED  
PCB LAYOUT

**NOTE:**

**1.ELECTRICAL:**

- 1.1 Rating Voltage:30V
- 1.2 Insulation Resistance:>100MΩ
- 1.3 Rating Current:3A
- 1.4 Contact Resistance of connector:≤5mΩ

**2.Mechanical Characteristics:Mating/Cycle>100 cycle**

- 3.Operating temperature: -25°C to +85°C
- 4.Waterproof connector rating is IP68  
They can not be used permanently under water

⑤	BLACK EPOXY RESIN	1	g
④	M8*1.0 BRASS PLATED NI NUT L*W=2.0*10mm	1	PCS
③	O-RING Green FKM circle $\phi 7.00*1.5$ mm	1	PCS
②	M8 BRASS PLATED NI MALE FRONT MOUNT M8*1.0 L=16.5mm	1	PCS
①	M8 B Coding 5pin male connector	1	SET
ITEM	SPECIFICATION	Q'TY	UNIT

G	RoHS compliant unit:mm	Scale	Free			Date	Name	Description: M8 Circular Connector Male 5Pin Front Mount	
		TOLERANCE				Drawn	Peter		
		.X	±0.50			Approved	Peter	ASSMANN WSW-NO.	
		.XX	±0.20					A-M08-05-MGMB-GTB3	
H		DIM	TOL					Drawing-No.	
		X.°	±2.0°					ASS 9390 CO rev00	
		.X°	±1.0°					Customer-No.	
		Angle	TOL	① Id.	modification	Date	Name		

1 2 3 4 5 6 7

A

A

B

B

C

C

D

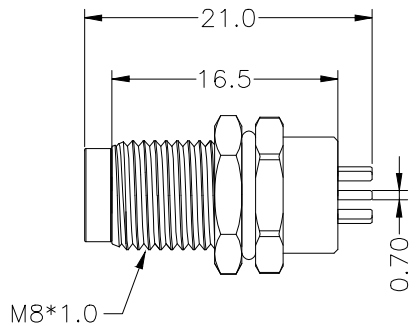
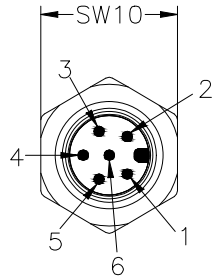
D

E

E

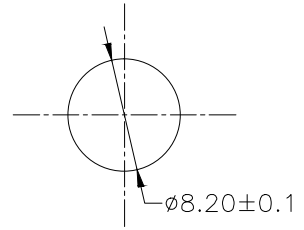
F

F

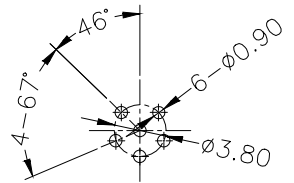


**NOTE:**

- 1.ELECTRICAL:
  - 1.1 Rating Voltage:30V
  - 1.2 Insulation Resistance:>100MΩ
  - 1.3 Rating Current:1.5A
  - 1.4 Contact Resistance of connector:≤10mΩ
- 2.Mechanical Characteristics:Mating/Cycle>100 cycle
- 3.Operating temperature: -25°C to +85°C
- 4.Waterproof connector rating is IP68  
They can not be used permanently under water



RECOMMEND  
PANEL CUT-OUT



RECOMMENDED  
PCB LAYOUT

⑤	BLACK EPOXY RESIN	1	g
④	M8*1.0 BRASS PLATED NI NUT L*W=2.0*10mm	1	PCS
③	M8 Green FKM circle $\varnothing 7.0*1.5$ mm	1	PCS
②	M8 BRASS PLATED NI MALE FRONT MOUNT M8*1.0 L=16.5mm	1	PCS
①	M8 A CODING 6PIN MALE CONNECTOR DIP	1	SET
ITEM	SPECIFICATION	Q'TY	UNIT

G

G

H

H

**RoHS compliant**  
unit:mm

Scale	Free						Date	Name	Description: M8 Circular Connector Male 6Pin Front Fastened
TOLERANCE						Drawn	23.05.2022	Peter	
.X	±0.50					Approved	23.05.2022	Peter	ASSMANN WSW-NO.
.XX	±0.20								<b>A-M08-06-MGMA-GTB3</b>
DIM	TOL								Drawing-No.
X.°	±2.0°	①	Drawn	23.05.2022	Peter	<b>ASSMANN</b> WSW components	ASS 9390 CO		rev00
.X°	±1.0°						Customer-No.	SHEET 4 / 10	
Angle	TOL	Id.	modification	Date	Name				

1 2 3 4 5 6 7

A

A

B

B

C

C

D

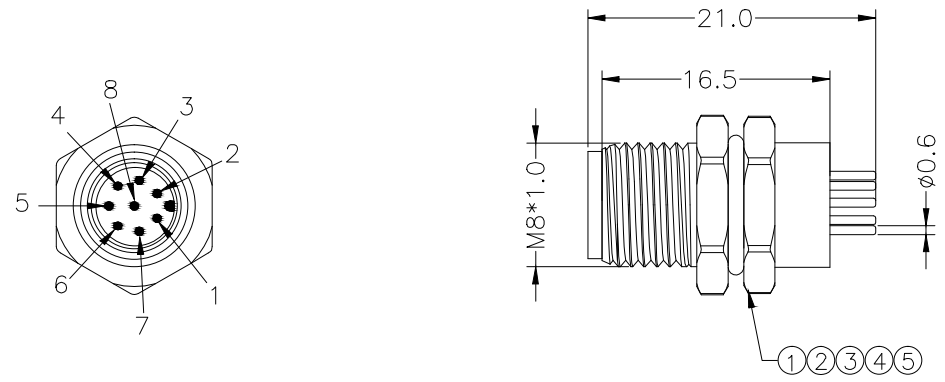
D

E

E

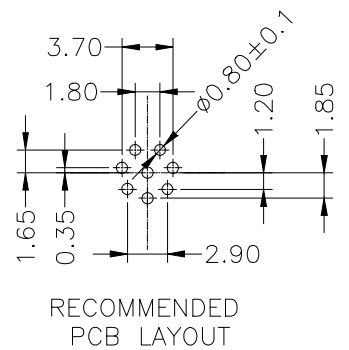
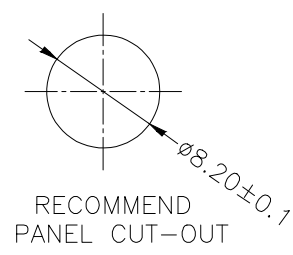
F

F



**NOTE:**

- 1.ELECTRICAL:**  
 1.1 Rating Voltage:30V  
 1.2 Insulation Resistance:>100MΩ  
 1.3 Rating Current:1.5A  
 1.4 Contact Resistance of connector:≤5mΩ
- 2.Mechanical Characteristics:**Mating/Cycle>100 cycle  
 3.Operating temperature: -25°C to +85°C  
 4.Waterproof connector rating is IP68  
 They can not be used permanently under water



⑤	BLACK EPOXY RESIN	1	g
④	M8*1.0 BRASS PLATED NI NUT L*W=2.0*10mm	1	PCS
③	M8 Green FKM circle $\phi 7.00 \times 1.0$ mm	1	PCS
②	M8 BRASS PLATED NI MALE FRONT MOUNT M8*1.0 L=16.5mm	1	PCS
①	M8 A Coding 8pin male connector	1	SET
ITEM	SPECIFICATION	Q'TY	UNIT

G

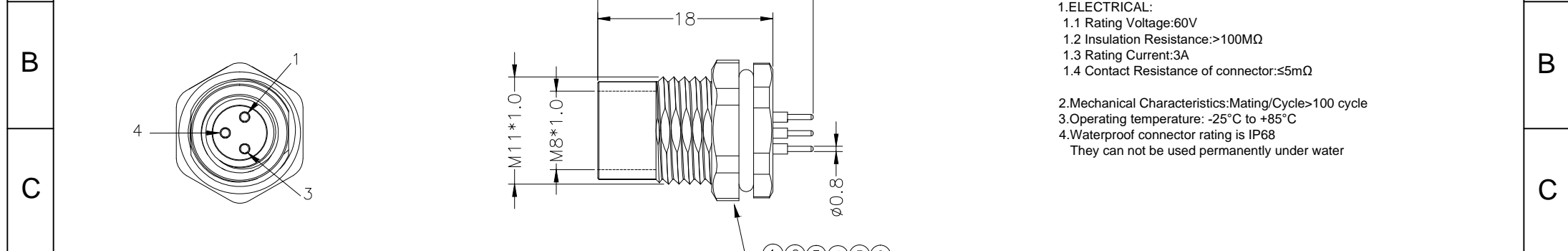
G

H

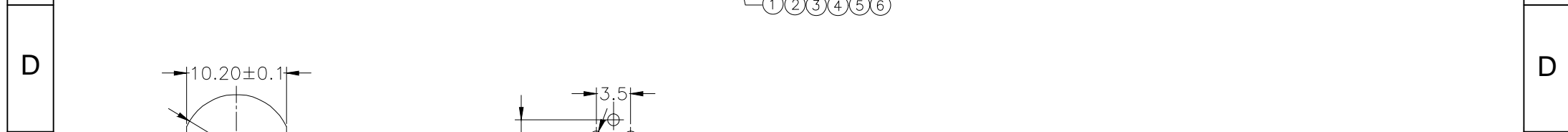
H

**RoHS compliant**  
unit:mm

Scale	Free					Date	Name	Description: M8 Circular Connector Male 8Pin Front Mount
TOLERANCE						Drawn	Peter	
.X	±0.50					Approved	Peter	ASSMANN WSW-NO.
.XX	±0.20							<b>A-M08-08-MGMA-GTB3</b>
DIM	TOL							Drawing-No.
X.°	±2.0°	©	Drawn	23.05.2022	Peter			<b>ASS 9390 CO</b>
.X°	±1.0°							rev00
Angle	TOL	Id.	modification	Date	Name	Customer-No.		SHEET 5 / 10



**NOTE:**  
 1.ELECTRICAL:  
 1.1 Rating Voltage:60V  
 1.2 Insulation Resistance:>100MΩ  
 1.3 Rating Current:3A  
 1.4 Contact Resistance of connector:≤5mΩ  
 2.Mechanical Characteristics:Mating/Cycle>100 cycle  
 3.Operating temperature: -25°C to +85°C  
 4.Waterproof connector rating is IP68  
 They can not be used permanently under water



RECOMMEND  
PANEL CUT-OUT

RECOMMENDED  
PCB LAYOUT

⑥	O-RING GREEN $\phi 10.0 \times \phi 1.5 \text{mm}$	1	PCS
⑤	BLACK EPOXY RESIN	1	g
④	O-RING GREEN, $\phi 4.34 \times 0.76 \text{mm}$	1	PCS
③	NUT BRASS PLATED NI M11*1.0mm	1	PCS
②	M8 BRASS PLATED NI FEMALE FRONT MOUNT M11 L=18mm	1	PCS
①	M8 A Coding 3pin female connector	1	SET
ITEM	SPECIFICATION	Q'TY	UNIT

G	RoHS compliant unit:mm	Scale	Free				Date	Name	Description: M8 Circular Connector Female 3Pin Front Fastened	
		TOLERANCE					Drawn	Peter		
		.X	±0.50				Approved	Peter	ASSMANN WSW-NO.	
		.XX	±0.20						A-M08-03-FGMA-GTB3	
H	DIM	TOL						Drawing-No.		
		X.°	±2.0°				ASSMANN		ASS 9390 CO	rev00
		.X°	±1.0°				WSW components		Customer-No.	SHEET
		Angle	TOL	①	Drawn	19.05.2022	Peter			6 / 10
		Id.	modification	Date	Name					

1 2 3 4 5 6 7

A

A

B

B

C

C

D

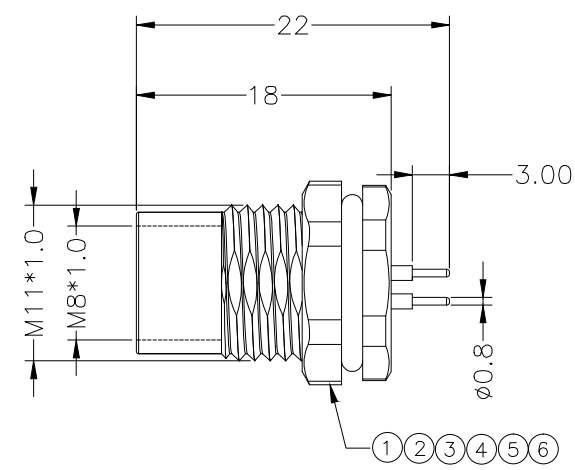
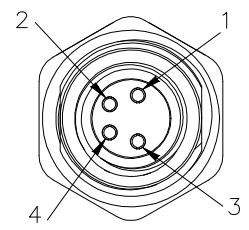
D

E

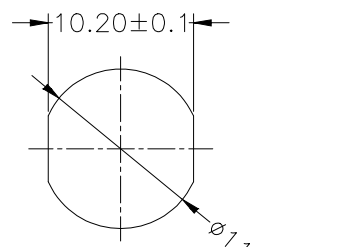
E

F

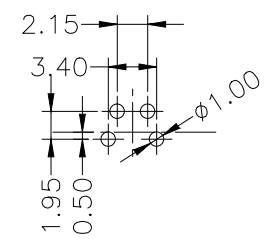
F



**NOTE:**  
**1.MATERIAL**  
 1.1 Insulation Plastic:PA66+GF  
 1.2 Contact Pin:Phosphor Bronze with Gold plating  
 1.3 Coupling Nut/Screw:Brass with Nickel plating  
**2.ELECTRICAL:**  
 2.1 Rating Voltage:30V AC/DC  
 2.2 Insulation Resistance:>100MΩ  
 2.3 Rating Current:3A  
 2.4 Contact Resistance:≤10mΩ  
**3.Operating temperature: -25°C to +90°C**  
**4.Waterproof connector rating is IP67/IP68**  
 Protected from dust and water during immersion,  
 resistant to many oils and chemical etc



RECOMMEND  
 PANEL CUT-OUT



RECOMMENDED  
 PCB LAYOUT

⑥	O-RING BLACK $\phi 10.0 \times \phi 1.5 \text{mm}$	1	PCS
⑤	BLACK EPOXY RESIN	1	G
④	O-RING ORANGE, $\phi 4.0 \times 1.0 \text{mm}$	1	PCS
③	NUT BRASS PLATED NI M11*1.0mm	1	PCS
②	M8 BRASS PLATED NI FEMALE FRONT MOUNT M11 L=18mm	1	PCS
①	M8 A CODING 4PIN FEMALE CONNECTOR	1	SET
ITEM	SPECIFICATION	Q'TY	UNIT

G

G

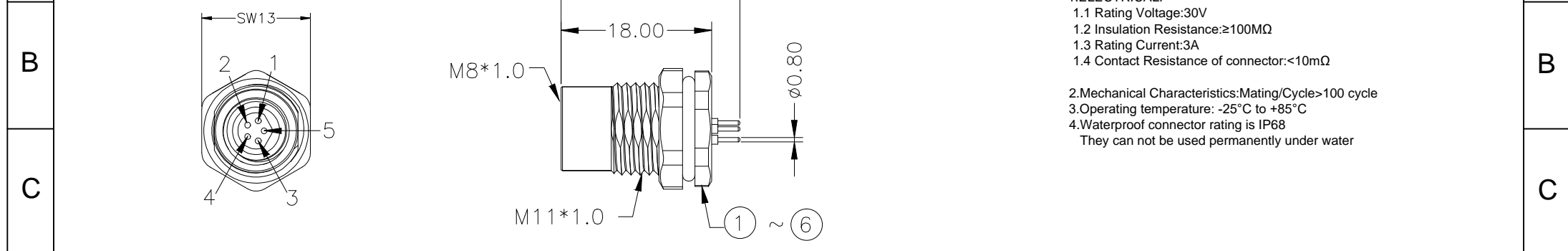
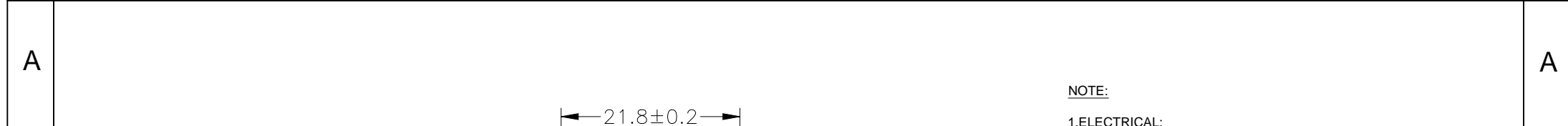
H

H

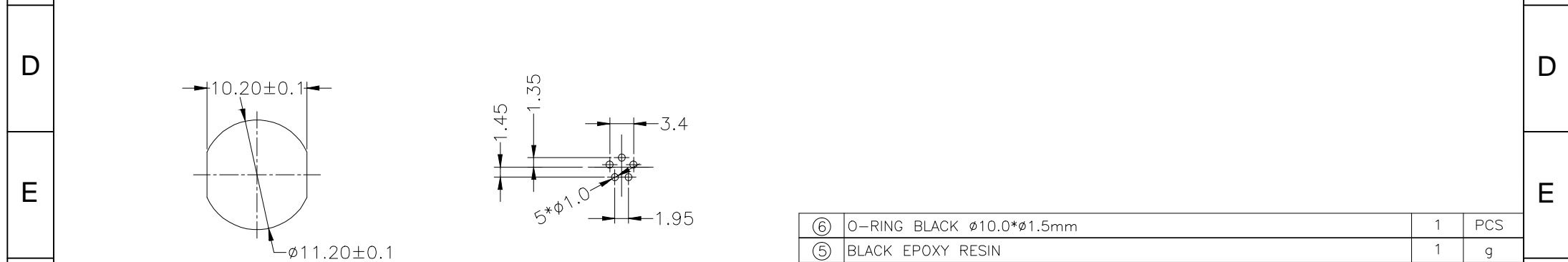
RoHS compliant  
 unit:mm

Scale	Free					Date	Name	Description: M8 Circular Connector Female 4Pin Front Mount	
TOLERANCE						Drawn	Peter		
.X	±0.50					Approved	Peter	ASSMANN WSW-NO. <b>A-M08-04-FGMA-GTB3</b>	
.XX	±0.20								
DIM	TOL							Drawing-No.	
X.°	±2.0°	①	Drawn	19.05.2022	Peter			ASS 9390 CO	rev00
.X°	±1.0°							Customer-No.	SHEET 7 / 10
Angle	TOL	Id.	modification	Date	Name				

1 2 3 4 5 6 7



**NOTE:**  
 1.ELECTRICAL:  
 1.1 Rating Voltage:30V  
 1.2 Insulation Resistance:≥100MΩ  
 1.3 Rating Current:3A  
 1.4 Contact Resistance of connector:<10mΩ  
 2.Mechanical Characteristics:Mating/Cycle>100 cycle  
 3.Operating temperature: -25°C to +85°C  
 4.Waterproof connector rating is IP68  
 They can not be used permanently under water



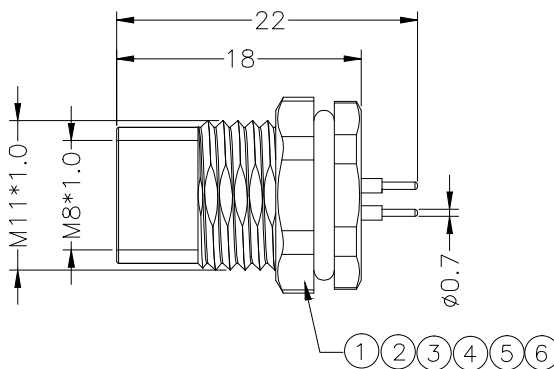
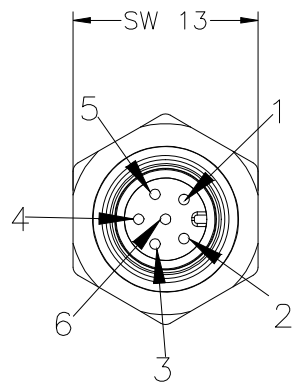
RECOMMEND  
PANEL CUT-OUT

RECOMMENDED  
PCB LAYOUT

⑥	O-RING BLACK Ø10.0*Ø1.5mm	1	PCS
⑤	BLACK EPOXY RESIN	1	g
④	O-RING ORANGE,Ø4.0*1.0mm	1	PCS
③	NUT BRASS PLATED NI M11*1.0mm	1	PCS
②	M8 BRASS PLATED NI FEMALE FRONT MOUNT M11 L=18mm	1	PCS
①	M8 B Coding 5pin female connector	1	SET
ITEM	SPECIFICATION	Q'TY	UNIT

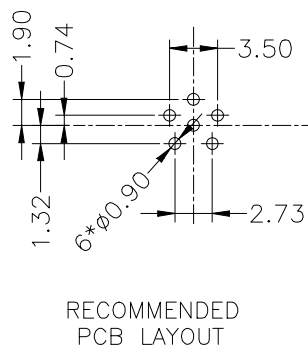
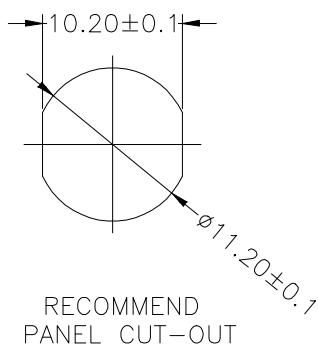
G	RoHS compliant unit:mm	Scale	Free				Date	Name	Description: M8 Circular Connector Female 5Pin Front Mount		
		TOLERANCE					Drawn	23.05.2022	Peter	ASSMANN WSW-NO.	
		.X	±0.50				Approved	23.05.2022	Peter	A-M08-05-FGMB-GTB3	
		.XX	±0.20								Drawing-No. ASS 9390 CO rev00
H		DIM	TOL						Customer-No.		
		X.°	±2.0°	①	Drawn	23.05.2022	Peter	SHEET 8 / 10			
		.X°	±1.0°	Id.	modification	Date	Name	ASSMANN WSW components			
		Angle	TOL								





**NOTE:**

- 1.ELECTRICAL:**  
 1.1 Rating Voltage:60V  
 1.2 Insulation Resistance:>100MΩ  
 1.3 Rating Current:3A  
 1.4 Contact Resistance of connector:≤5mΩ
- 2.Mechanical Characteristics:**Mating/Cycle>100 cycle  
 3.Operating temperature: -25°C to +85°C  
 4.Waterproof connector rating is IP68  
 They can not be used permanently under water



⑥	O-RING GREEN $\phi 10.0 * \phi 1.5 \text{mm}$	1	PCS
⑤	BLACK EPOXY RESIN	1	g
④	O-RING ORANGE, $\phi 4.34 * 0.76 \text{mm}$	1	PCS
③	NUT BRASS PLATED NI M11*1.0mm	1	PCS
②	M8 BRASS PLATED NI FEMALE FRONT MOUNT M11 L=18mm	1	PCS
①	M8 A Coding 6pin female connector	1	SET
ITEM	SPECIFICATION	Q'TY	UNIT

G	RoHS compliant unit:mm	Scale	Free			Date	Name	Description: M8 Circular Connector Female 6Pin Front Fastened	
		TOLERANCE				Drawn	Peter		
		.X	±0.50			Approved	Peter	ASSMANN WSW-NO.	
		.XX	±0.20					A-M08-06-FGMA-GTB3	
H		DIM	TOL					Drawing-No.	rev00
		X.°	±2.0°	①	Drawn	23.05.2022	Peter	ASSMANN	ASS 9390 CO
		.X°	±1.0°					WSW components	Customer-No.
		Angle	TOL	Id.	modification	Date	Name		SHEET 9 / 10

