

1

2

3

4

5

6

7

A

A

B

B

C

C

D

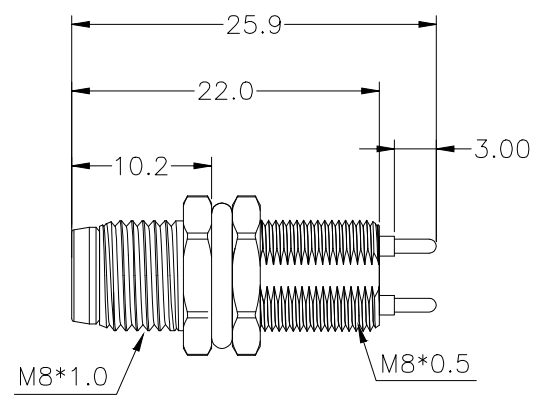
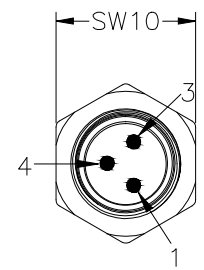
D

E

E

F

F

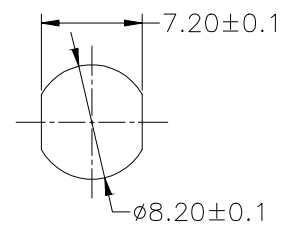


**NOTE:**

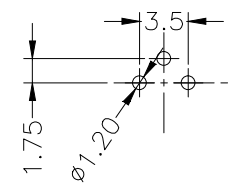
**1.ELECTRICAL:**

- 1.1 Rating Voltage:60V
- 1.2 Insulation Resistance:>100MΩ
- 1.3 Rating Current:3A
- 1.4 Contact Resistance of connector:≤5mΩ

- 2.Mechanical Characteristics:Mating/Cycle>100 cycle
- 3.Operating temperature: -25°C to +85°C
- 4.Waterproof connector rating is IP68  
They can not be used permanently under water



RECOMMEND  
PANEL CUT-OUT



RECOMMENDED  
PCB LAYOUT

⑥	M8*0.5 BRASS PLATED NI NUT L*W=2.0*10mm	1	PCS
⑤	BLACK EPOXY RESIN	1	g
④	M8 Green FKM circle ø7.00*1.5mm	1	PCS
③	M8 Nickel plated brass nut rear panel mount male shell	1	PCS
②	M8 A Coding 3pin male connector L=16.0	1	PCS
①	M8 A MALE ø1.0 PIN,BRASS PLATED OF GOLD 1u''L=25.6	3	PCS
ITEM	SPECIFICATION	Q'TY	UNIT

G

G

**RoHS compliant**  
unit:mm

Scale	Free
TOLERANCE	
.X	±0.50
.XX	±0.20
DIM	TOL
X.°	±2.0°
.X°	±1.0°
Angle	TOL

Drawn	26.05.2022	Peter	Date	Name	Description: M8 Circular Connector Male 3Pin Rear Fastened
Approved	26.05.2022	Peter			
ASSMANN WSW-NO.					A-M08-03-MGMA-GTB2
Drawing-No.					
ASSMANN WSW components					ASS 9391 CO
Customer-No.					rev00
modification					SHEET 1 / 10
Date	Name				

H

H

1

2

3

4

5

6

7

A

B

C

D

E

F

A

B

C

D

E

F

G

H

1

2

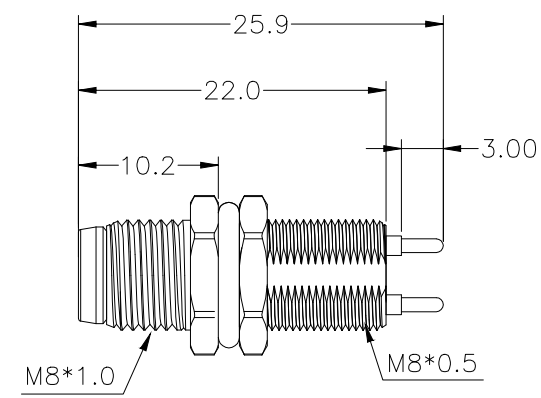
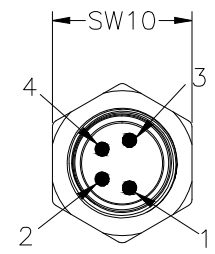
3

4

5

6

7

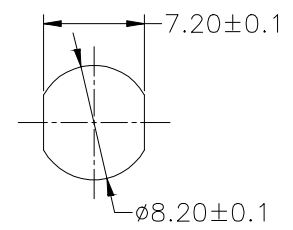


**NOTE:**

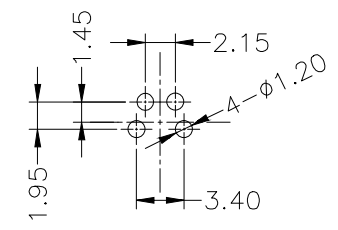
**1.ELECTRICAL:**

- 1.1 Rating Voltage:60V
- 1.2 Insulation Resistance:>100MΩ
- 1.3 Rating Current:3A
- 1.4 Contact Resistance of connector:≤5mΩ

- 2.Mechanical Characteristics:Mating/Cycle>100 cycle
- 3.Operating temperature: -25°C to +85°C
- 4.Waterproof connector rating is IP68  
They can not be used permanently under water



RECOMMEND  
PANEL CUT-OUT



RECOMMENDED  
PCB LAYOUT

⑥	M8*0.5 BRASS PLATED NI NUT L*W=2.0*10mm	1	PCS
⑤	BLACK EPOXY RESIN	1	g
④	M8 Green FKM circle Ø7.00*1.5mm	1	PCS
③	M8 Nickel plated brass nut rear panel mount male shell	1	PCS
②	M8 A Coding 4pin male connector	1	PCS
①	M8 A MALE Ø1.0 PIN,BRASS PLATED OF GOLD 1u''L=25.6	4	PCS
ITEM	SPECIFICATION	Q'TY	UNIT

G

**RoHS compliant**  
unit:mm

Scale	Free							Date	Name	Description: M8 Circular Connector Male 4Pin Rear Mount
TOLERANCE								Drawn	26.05.2022	
.X	±0.50							Approved	26.05.2022	Peter
.XX	±0.20									
DIM	TOL									ASSMANN WSW-NO. <b>A-M08-04-MGMA-GTB2</b>
X.°	±2.0°	①	Drawn	26.05.2022	Peter	ASSMANN WSW components	Drawing-No. <b>ASS 9391 CO</b>	Customer-No.	SHEET 2 / 10	rev00
.X°	±1.0°									
Angle	TOL									

H

1

2

3

4

5

6

7

1

2

3

4

5

6

7

A

A

B

B

C

C

D

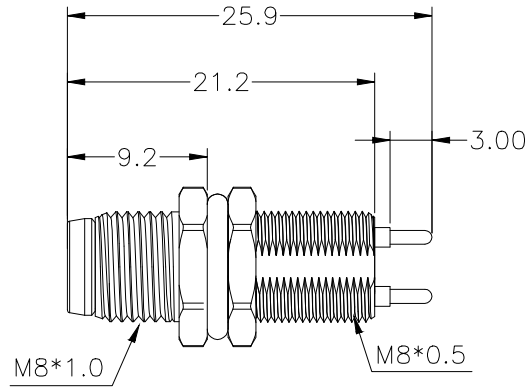
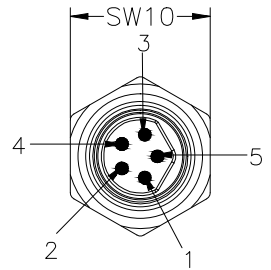
D

E

E

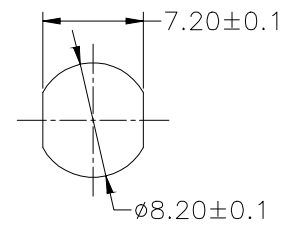
F

F

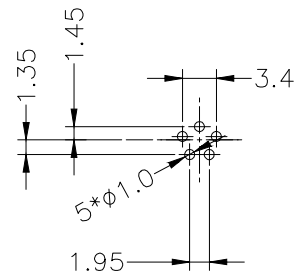


NOTE:

- 1.ELECTRICAL:
  - 1.1 Rating Voltage:30V
  - 1.2 Insulation Resistance:>100MΩ
  - 1.3 Rating Current:3A
  - 1.4 Contact Resistance of connector:≤5mΩ
- 2.Mechanical Characteristics:Mating/Cycle>100 cycle
- 3.Operating temperature: -25°C to +85°C
- 4.Waterproof connector rating is IP68  
They can not be used permanently under water



RECOMMEND PANEL CUT-OUT



RECOMMENDED PCB LAYOUT

⑥	M8*0.5 BRASS PLATED NI NUT L*W=2.0*10mm	1	PCS
⑤	BLACK EPOXY RESIN	1	g
④	M8 Green FKM circle ø7.00*1.5mm	1	PCS
③	M8 Nickel plated brass nut rear panel mount male shell	1	PCS
②	M8 B Coding 5pin male connector L=16.0	1	PCS
①	M8 5Pin male connector, ø1.0 pin brass plated of gold 1u” L=25.6	5	PCS
ITEM	SPECIFICATION	Q'TY	UNIT

G

G

RoHS compliant  
unit:mm

Scale	Free
TOLERANCE	
.X	±0.50
.XX	±0.20
DIM	TOL
X.°	±2.0°
.X°	±1.0°
Angle	TOL

					Date	Name	Description: M8 Circular Connector Male 5Pin Rear Fastened
				Drawn	27.05.2022	Peter	
				Approved	27.05.2022	Peter	ASSMANN WSW-NO.
							<b>A-M08-05-MGMB-GTB2</b>
							Drawing-No.
							<b>ASS 9391 CO</b>
							rev00
							Customer-No.
							SHEET 3 / 10



H

H

1

2

3

4

5

6

7

1

2

3

4

5

6

7

A

B

C

D

E

F

A

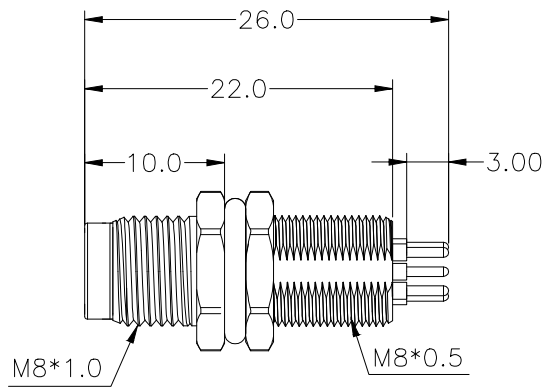
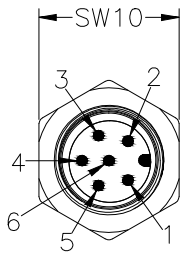
B

C

D

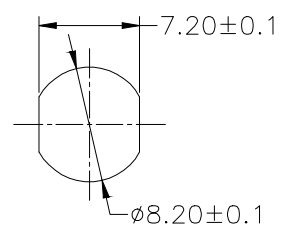
E

F

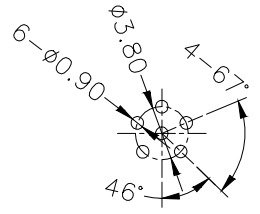


NOTE:

- 1.ELECTRICAL:
  - 1.1 Rating Voltage:30V
  - 1.2 Insulation Resistance:≥100MΩ
  - 1.3 Rating Current:1.5A
  - 1.4 Contact Resistance of connector:<10mΩ
- 2.Mechanical Characteristics:Mating/Cycle>100 cycle
- 3.Operating temperature: -25°C to +85°C
- 4.Waterproof connector rating is IP68 (behind the lock)  
They can not be used permanently under water



RECOMMEND PANEL CUT-OUT



RECOMMENDED PCB LAYOUT

⑥	TERMINAL COPPER ALLOY GOLD-PLATED 1U" ∅0.7*25.6mm	6	PCS
⑤	M8*0.5 BRASS PLATED NI NUT L*W=2.0*10mm	1	PCS
④	BLACK EPOXY RESIN	2	G
③	O-RING Green FKM ∅7.00*1.5mm	1	PCS
②	M8 Nickel plated brass nut rear panel mount male shell	1	PCS
①	M8 A CODING 6PIN MALE INSERT PA66 L=16.1mm	1	PCS
ITEM	SPECIFICATION	Q'TY	UNIT

G

RoHS compliant  
unit:mm

Scale	Free
TOLERANCE	
.X	±0.50
.XX	±0.20
DIM	TOL
X.°	±2.0°
.X°	±1.0°
Angle	TOL

Drawn	27.05.2022	Peter
Approved	27.05.2022	Peter
Id.	modification	Date
		Name

Date: 27.05.2022  
Name: Peter

ASSMANN  
WSW components

Description: M8 Circular Connector Male 6Pin Rear Fastened	
ASSMANN WSW-NO. A-M08-06-MGMA-GTB2	
Drawing-No. ASS 9391 CO	rev00
Customer-No.	SHEET 4 / 10

G

H

H

1

2

3

4

5

6

7

1

2

3

4

5

6

7

A

A

B

B

C

C

D

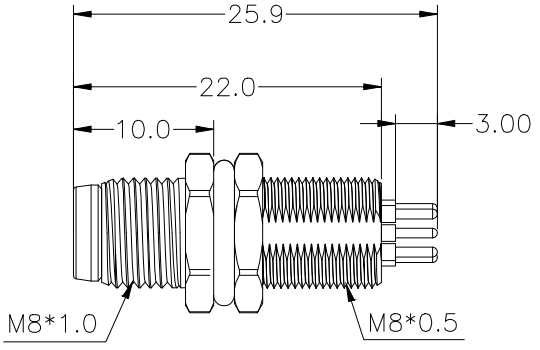
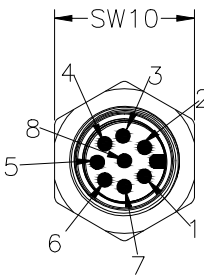
D

E

E

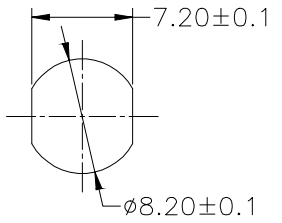
F

F

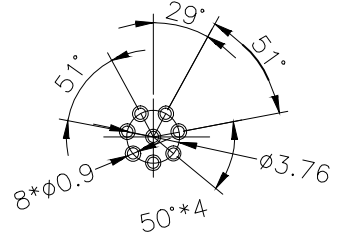


NOTE:

- 1.ELECTRICAL:
  - 1.1 Rating Voltage:30V
  - 1.2 Insulation Resistance:≥100MΩ
  - 1.3 Rating Current:1.5A
  - 1.4 Contact Resistance of connector:<10mΩ
- 2.Mechanical Characteristics:Mating/Cycle>100 cycle
- 3.Operating temperature: -25°C to +85°C
- 4.Waterproof connector rating is IP68 (behind the lock)  
They can not be used permanently under water



RECOMMEND PANEL CUT-OUT



RECOMMENDED PCB LAYOUT

⑥	TERMINAL COPPER ALLOY GOLD-PLATED 1U" ø0.6*25.6mm	8	PCS
⑤	M8*0.5 BRASS PLATED NI NUT L*W=2.0*10mm	1	PCS
④	BLACK EPOXY RESIN	2	G
③	O-RING Green FKM ø7.00*1.5mm	1	PCS
②	M8 Nickel plated brass nut rear panel mount male shell	1	PCS
①	M8 A CODING 8PIN MALE INSERT PA66 L=16.1mm	1	PCS
ITEM	SPECIFICATION	Q'TY	UNIT

G

G

RoHS compliant  
unit:mm

Scale	Free
TOLERANCE	
.X	±0.50
.XX	±0.20
DIM	TOL
X.°	±2.0°
.X°	±1.0°
Angle	TOL

						Date	Name	Description: M8 Circular Connector Male 8Pin Rear Fastened
					Drawn	27.05.2022	Peter	
						Approved	27.05.2022	Peter
								ASSMANN WSW-NO. A-M08-08-MGMA-GTB2
								Drawing-No. ASS 9391 CO rev00
								Customer-No. SHEET 5 / 10



H

H

1

2

3

4

5

6

7

1

2

3

4

5

6

7

A

A

B

B

C

C

D

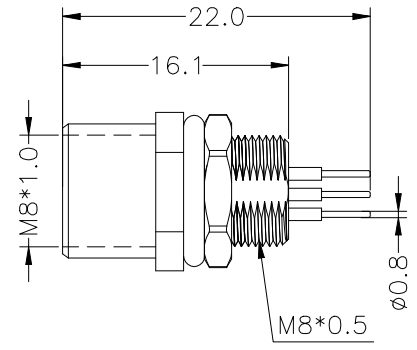
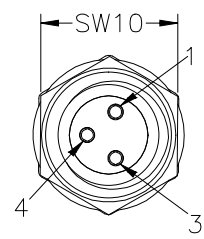
D

E

E

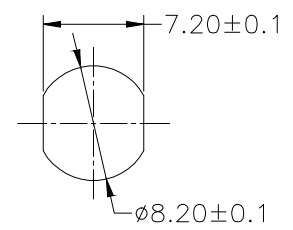
F

F

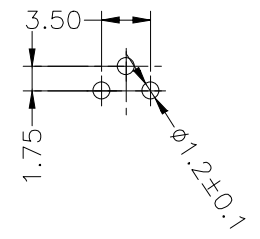


**NOTE:**

- 1.ELECTRICAL:
  - 1.1 Rating Voltage:60V
  - 1.2 Insulation Resistance:>100MΩ
  - 1.3 Rating Current:3A
  - 1.4 Contact Resistance of connector:≤5mΩ
- 2.Mechanical Characteristics:Mating/Cycle>100 cycle
- 3.Operating temperature: -25°C to +85°C
- 4.Waterproof connector rating is IP68  
They can not be used permanently under water



RECOMMEND  
PANEL CUT-OUT



RECOMMENDED  
PCB LAYOUT

⑥	BLACK EPOXY RESIN	1	g
⑤	M8*0.5 BRASS PLATED NI NUT L*W=2.0*10mm	1	PCS
④	M8 Green FKM circle φ7.00*1.5mm	1	PCS
③	M8 BRASS PLATED NI FEMALE REAR MOUNT M8*0.5 L=16.1mm	1	PCS
②	M8 terminal gold-plated1U"plug plate female terminal L=20.3mm	3	PCS
①	M8 A CODING 3Pin FEMALE INSERT BALCK PA66+GF L=13.4mm	1	SET
ITEM	SPECIFICATION	Q'TY	UNIT

G

G

RoHS compliant  
unit:mm

Scale	Free						Date	Name	Description: M8 Circular Connector Female 3Pin Rear Mount
TOLERANCE							Drawn	26.05.2022	
.X	±0.50						Approved	26.05.2022	Peter
.XX	±0.20								ASSMANN WSW-NO.
DIM	TOL								A-M08-03-FGMA-GTB2
X.°	±2.0°								Drawing-No.
.X°	±1.0°	①	Drawn	26.05.2022	Peter			ASS 9391 CO	rev00
Angle	TOL	Id.	modification	Date	Name			Customer-No.	SHEET 6 / 10

H

H

1

2

3

4

5

6

7

1

2

3

4

5

6

7

A

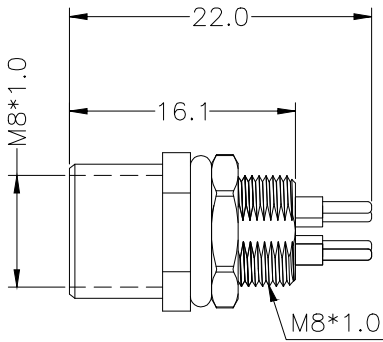
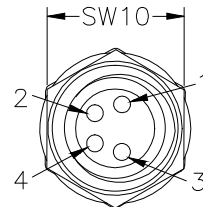
B

C

D

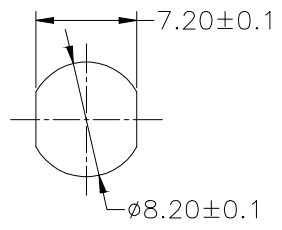
E

F

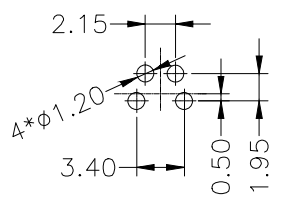


NOTE:

- 1.ELECTRICAL:
  - 1.1 Rating Voltage:60V
  - 1.2 Insulation Resistance:>100MΩ
  - 1.3 Rating Current:3A
  - 1.4 Contact Resistance of connector:≤5mΩ
- 2.Mechanical Characteristics:Mating/Cycle>100 cycle
- 3.Operating temperature: -25°C to +85°C
- 4.Waterproof connector rating is IP68  
They can not be used permanently under water



RECOMMEND PANEL CUT-OUT



RECOMMENDED PCB LAYOUT

⑥	O-RING GREEN FKM ø7.0*ø1.5mm	1	PCS
⑤	BLACK EPOXY RESIN	1	G
④	O-RING GREEN FKM ø4.34*0.76mm	1	PCS
③	M8*1.0 BRASS PLATED NI NUT L*W=2.0*10mm	1	PCS
②	M8 BRASS PLATED NI FEMALE REAR MOUNT M8*1.0 L=16.1mm	1	PCS
①	M8 A CODING 4PIN FEMALE CONNECTOR DIP	1	SET
ITEM	SPECIFICATION	Q'TY	UNIT

G

RoHS compliant  
unit:mm

Scale	Free
TOLERANCE	
.X	±0.50
.XX	±0.20
DIM	TOL
X.°	±2.0°
.X°	±1.0°
Angle	TOL

Drawn	26.05.2022	Peter	Date	Name	Description: M8 Circular Connector Female 4Pin Rear Fastened
Approved	26.05.2022	Peter			
ASSMANN WSW-NO.					A-M08-04-FGMA-GTB2
Drawing-No.					
ASSMANN WSW components					ASS 9391 CO
Customer-No.					rev00
modification					SHEET 7 / 10

H

1

2

3

4

5

6

7

1

2

3

4

5

6

7

A

A

B

B

C

C

D

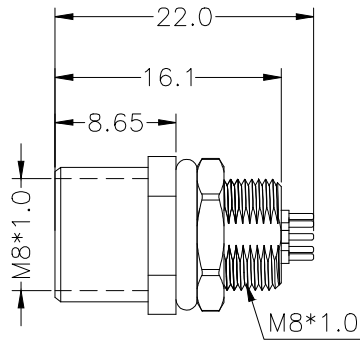
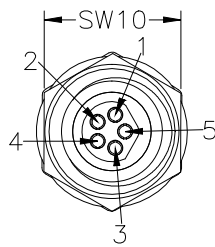
D

E

E

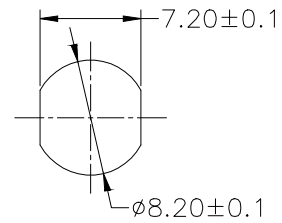
F

F

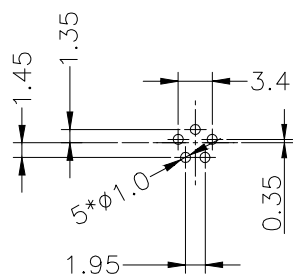


NOTE:

- 1.ELECTRICAL:
  - 1.1 Rating Voltage:30V
  - 1.2 Insulation Resistance:>100MΩ
  - 1.3 Rating Current:3A
  - 1.4 Contact Resistance of connector:≤5mΩ
- 2.Mechanical Characteristics:Mating/Cycle>100 cycle
- 3.Operating temperature: -25°C to +85°C
- 4.Waterproof connector rating is IP67  
They can not be used permanently under water



RECOMMEND PANEL CUT-OUT



RECOMMENDED PCB LAYOUT

⑤	M8*1.0 BRASS PLATED NI NUT L*W=2.0*10mm	1	PCS
④	BLACK EPOXY RESIN	1	g
③	M8 Green FKM circle ø7.00*1.5mm	1	PCS
②	M8 BRASS PLATED NI FEMALE REAR MOUNT M8*1.0 L=16.1mm	1	PCS
①	M8 B CODING 5PIN FEMALE CONNECTOR	1	SET
ITEM	SPECIFICATION	Q'TY	UNIT

G

G

RoHS compliant  
unit:mm

Scale	Free
TOLERANCE	
.X	±0.50
.XX	±0.20
DIM	TOL
X.°	±2.0°
.X°	±1.0°
Angle	TOL

						Date	Name	Description: M8 Circular Connector Female 5Pin Rear Fastened
				Drawn		27.05.2022	Peter	
				Approved		27.05.2022	Peter	ASSMANN WSW-NO.
								<b>A-M08-05-FGMB-GTB2</b>
								Drawing-No.
								<b>ASS 9391 CO</b>
								rev00
								Customer-No.
								SHEET 8 / 10



H

H

1

2

3

4

5

6

7



1

2

3

4

5

6

7

A

A

B

B

C

C

D

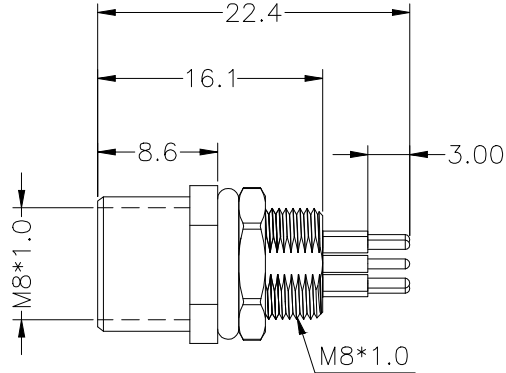
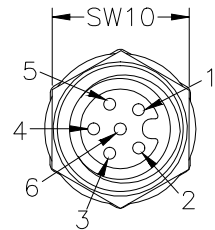
D

E

E

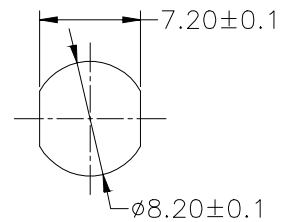
F

F

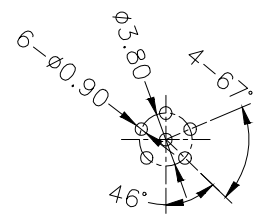


NOTE:

- 1.ELECTRICAL:
  - 1.1 Rating Voltage:60V
  - 1.2 Insulation Resistance:>100MΩ
  - 1.3 Rating Current:3A
  - 1.4 Contact Resistance of connector:≤5mΩ
- 2.Mechanical Characteristics:Mating/Cycle>100 cycle
- 3.Operating temperature: -25°C to +85°C
- 4.Waterproof connector rating is IP68  
They can not be used permanently under water



RECOMMEND PANEL CUT-OUT



RECOMMENDED PCB LAYOUT

⑦	TERMINAL COPPER ALLOY GOLD-PLATED 1u”	6	PCS
⑥	O-RING GREEN FKM ø7.0*ø1.5mm	1	PCS
⑤	BLACK EPOXY RESIN	1	G
④	O-RING GREEN FKM ø4.34*ø0.76mm	1	PCS
③	M8*1.0 BRASS PLATED NI NUT	1	PCS
②	M8 BRASS PLATED NI FEMALE REAR MOUNT	1	PCS
①	M8 A CODING 6PIN FEMALE INSERT PA66	1	PCS
ITEM	SPECIFICATION	Q'TY	UNIT

G

G

RoHS compliant  
unit:mm

Scale	Free
TOLERANCE	
.X	±0.50
.XX	±0.20
DIM	TOL
X.°	±2.0°
.X°	±1.0°
Angle	TOL

Drawn	27.05.2022	Peter
Approved	27.05.2022	Peter
Id.	modification	Date
		Name

Date: 27.05.2022  
Name: Peter

Drawn: 27.05.2022  
Approved: 27.05.2022  
Name: Peter

**ASSMANN**  
WSW components

Description: M8 Circular Connector  
Female 6Pin Rear Fastened

ASSMANN WSW-NO.  
**A-M08-06-FGMA-GTB2**

Drawing-No.  
**ASS 9391 CO** rev00

Customer-No.  
SHEET 9 / 10

H

H

1

2

3

4

5

6

7

1

2

3

4

5

6

7

A

A

B

B

C

C

D

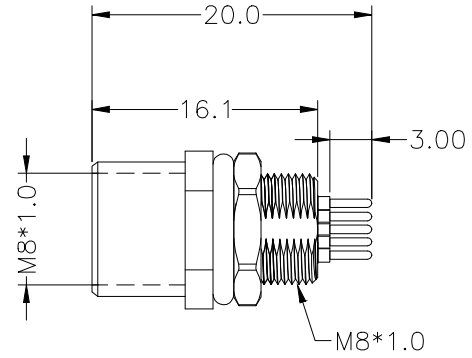
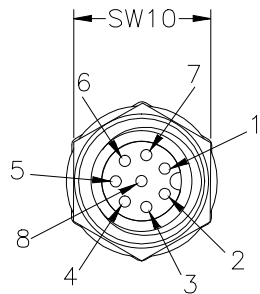
D

E

E

F

F

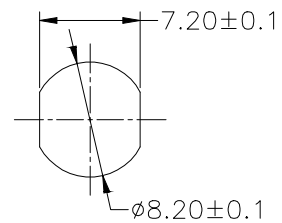


NOTE:

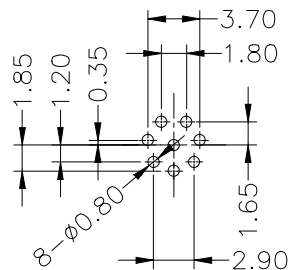
1.ELECTRICAL:

- 1.1 Rating Voltage:30V
- 1.2 Insulation Resistance:≥100MΩ
- 1.3 Rating Current:1.5A
- 1.4 Contact Resistance of connector:<10mΩ

- 2.Mechanical Characteristics:Mating/Cycle>100 cycle
- 3.Operating temperature: -25°C to +85°C
- 4.Waterproof connector rating is IP68 (behind the lock)  
They can not be used permanently under water



RECOMMEND PANEL CUT-OUT



RECOMMENDED PCB LAYOUT

⑥	O-RING GREEN FKM ø7.0*ø1.5mm	1	PCS
⑤	BLACK EPOXY RESIN	1	G
④	O-RING GREEN FKM ø4.34*0.76mm	1	PCS
③	M8*1.0 BRASS PLATED NI NUT	1	PCS
②	M8 BRASS PLATED NI FEMALE REAR MOUNT M8*1.0 L=16.1mm	1	PCS
①	M8 A CODING 8PIN FEMALE CONNECTOR DIP	1	SET
ITEM	SPECIFICATION	Q'TY	UNIT

G

G

RoHS compliant  
unit:mm

Scale	Free
TOLERANCE	
.X	±0.50
.XX	±0.20
DIM	TOL
X.°	±2.0°
.X°	±1.0°
Angle	TOL

Drawn	27.05.2022	Peter	Date	Name	Description: M8 Circular Connector Female 8Pin Rear Fastened
Approved	27.05.2022	Peter			
					ASSMANN WSW components
					Drawing-No. ASS 9391 CO
					Customer-No.
					rev00
					SHEET 10 / 10

H

H

1

2

3

4

5

6

7