

1

2

3

4

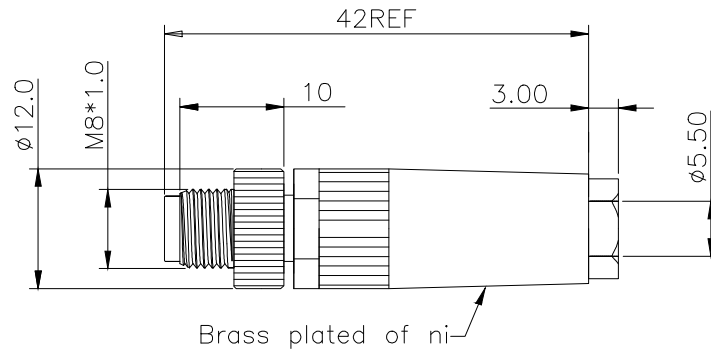
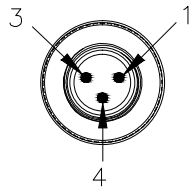
5

6

7

A

A



TERMINATION:Solder

NOTE:

- 1.Mechanical Characteristics:Mating/Cycle>100 cycles
- 2.Operating temperature: -25°C to +85°C
- 3.Waterproof connector rating is IP67
They can not be used permanently under water
Per ISO-20653,IEC60529

Order Code:A-M08-xx-MGMx-GEB1

- A:A Coding
- B:B Coding
- No. of Contact

B

C

D

E

F

Part Number	Contacts	Rated voltage		Rated current	Contact Resistance	Cable OD (mm)
		A/C	D/C			
A-M08-03-MGMA-GEB1		50V	60V	3A	10mΩ	3~5.5
A-M08-04-MGMA-GEB1		50V	60V	3A	10mΩ	3~5.5
A-M08-05-MGMB-GEB1		30V	30V	3A	10mΩ	3~5.5
A-M08-06-MGMA-GEB1		30V	30V	1.5A	10mΩ	3~5.5
A-M08-08-MGMA-GEB1		30V	30V	1.5A	10mΩ	3~5.5

G

RoHS compliant

unit:mm

Scale Free

TOLERANCE

.X ±0.50

.XX ±0.20

DIM TOL

X.° ±2.0°

.X° ±1.0°

Angle TOL

①

Drawn

30.05.2022

Peter

Id.

modification

Date

Name

Date

Name

Drawn

30.05.2022

Peter

Approved

30.05.2022

Peter

Description: M8 Circular Connector
Male With Shield

ASSMANN WSW-NO.

A-M08-xx-MGMx-GEB1

Drawing-No.

ASS 9405 CO

rev00

Customer-No.

SHEET
1 / 2

H

1

2

3

4

5

6

7

SV4471

1

2

3

4

5

6

7

A

A

B

B

C

C

D

D

E

E

F

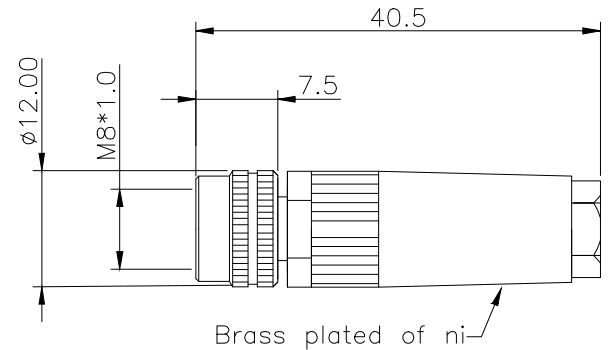
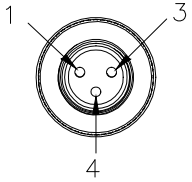
F

G

G

H

H

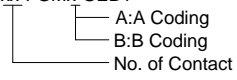


TERMINATION:Solder

NOTE:

- 1.Mechanical Characteristics:Mating/Cycle>100 cycles
 - 2.Operating temperature: -25°C to +85°C
 - 3.Waterproof connector rating is IP67
- They can not be used permanently under water
Per ISO-20653,IEC60529

Order Code:A-M08-xx-FGMx-GEB1



Part Number	Contacts	Rated voltage		Rated current	Contact Resistance	Cable OD (mm)
		A/C	D/C			
A-M08-03-FGMA-GEB1		50V	60V	3A	10mΩ	3~5.5
A-M08-04-FGMA-GEB1		50V	60V	3A	10mΩ	3~5.5
A-M08-05-FGMB-GEB1		30V	30V	3A	10mΩ	3~5.5
A-M08-06-FGMA-GEB1		30V	30V	1.5A	10mΩ	3~5.5
A-M08-08-FGMA-GEB1		30V	30V	1.5A	10mΩ	3~5.5

RoHS compliant
unit:mm

Scale	Free
TOLERANCE	
.X	±0.50
.XX	±0.20
DIM	TOL
X.°	±2.0°
.X°	±1.0°
Angle	TOL

Drawn	30.05.2022	Peter
Approved	30.05.2022	Peter
Id.	modification	Date
		Name

Date Name

Drawn 30.05.2022 Peter

Approved 30.05.2022 Peter

Description: M8 Circular Connector
Female With Shield

ASSMANN WSW-NO.
A-M08-xx-FGMx-GEB1

Drawing-No. ASS 9405 CO rev00

Customer-No. SHEET 2 / 2

1

2

3

4

5

6

7