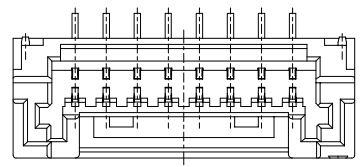
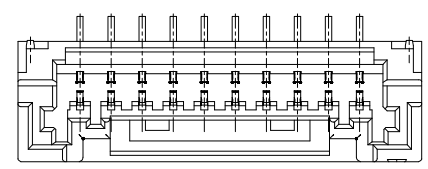
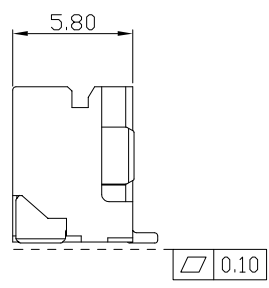
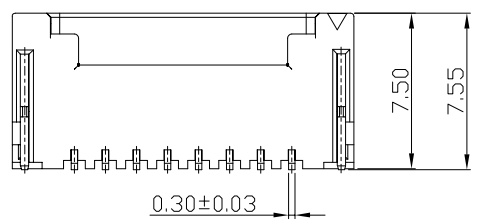


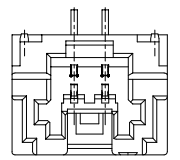
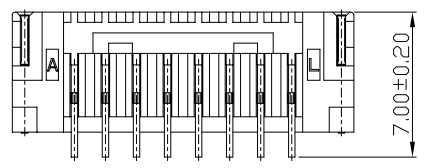
3P-5P



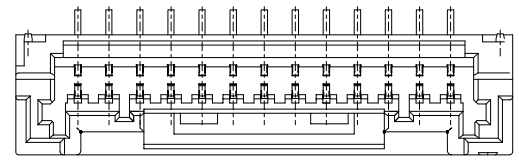
6P-9P



10P-11P



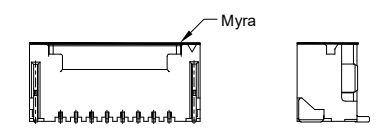
2P



12P-16P

NOTE:

- 1.MATERIAL
 - 1.1 Insulator:PA9T,UL94V-0,Natural
 - 1.2 Contact:Phosphor Bronze,Sn-plated
 - 1.3 Solder Tab:Brass,Sn-plated
- 2.ELECTRIC
 - 2.1 Voltage Rating:100V AC DC
 - 2.2 Current Rating:2.0A AC DC
 - 2.3 Withstanding Voltage:500V AC/minute
 - 2.4 Insulation Resistance:≥500MΩ
 - 2.5 Contact Resistance:≤20mΩ
- 3.Temperature Range:-25°C To +85°C
- 4.Packing:T&R



With Myra View (Scale 1:2)

| Poles | Part No. | Dimensions (mm) | |
|-------|---------------------|-----------------|-------|
| | | A | B |
| 02 | A-WBP-G005EG-02SR01 | 1.50 | 7.50 |
| 03 | A-WBP-G005EG-03SR01 | 3.00 | 9.00 |
| 04 | A-WBP-G005EG-04SR01 | 4.50 | 10.50 |
| 05 | A-WBP-G005EG-05SR01 | 6.00 | 12.00 |
| 06 | A-WBP-G005EG-06SR01 | 7.50 | 13.50 |
| 07 | A-WBP-G005EG-07SR01 | 9.00 | 15.00 |
| 08 | A-WBP-G005EG-08SR01 | 10.50 | 16.50 |
| 09 | A-WBP-G005EG-09SR01 | 12.00 | 18.00 |
| 10 | A-WBP-G005EG-10SR01 | 13.50 | 19.50 |
| 11 | A-WBP-G005EG-11SR01 | 15.00 | 21.00 |
| 12 | A-WBP-G005EG-12SR01 | 16.50 | 22.50 |
| 13 | A-WBP-G005EG-13SR01 | 18.00 | 24.00 |
| 14 | A-WBP-G005EG-14SR01 | 19.50 | 25.50 |
| 15 | A-WBP-G005EG-15SR01 | 21.00 | 27.00 |
| 16 | A-WBP-G005EG-16SR01 | 22.50 | 28.50 |

RoHS compliant
unit:mm

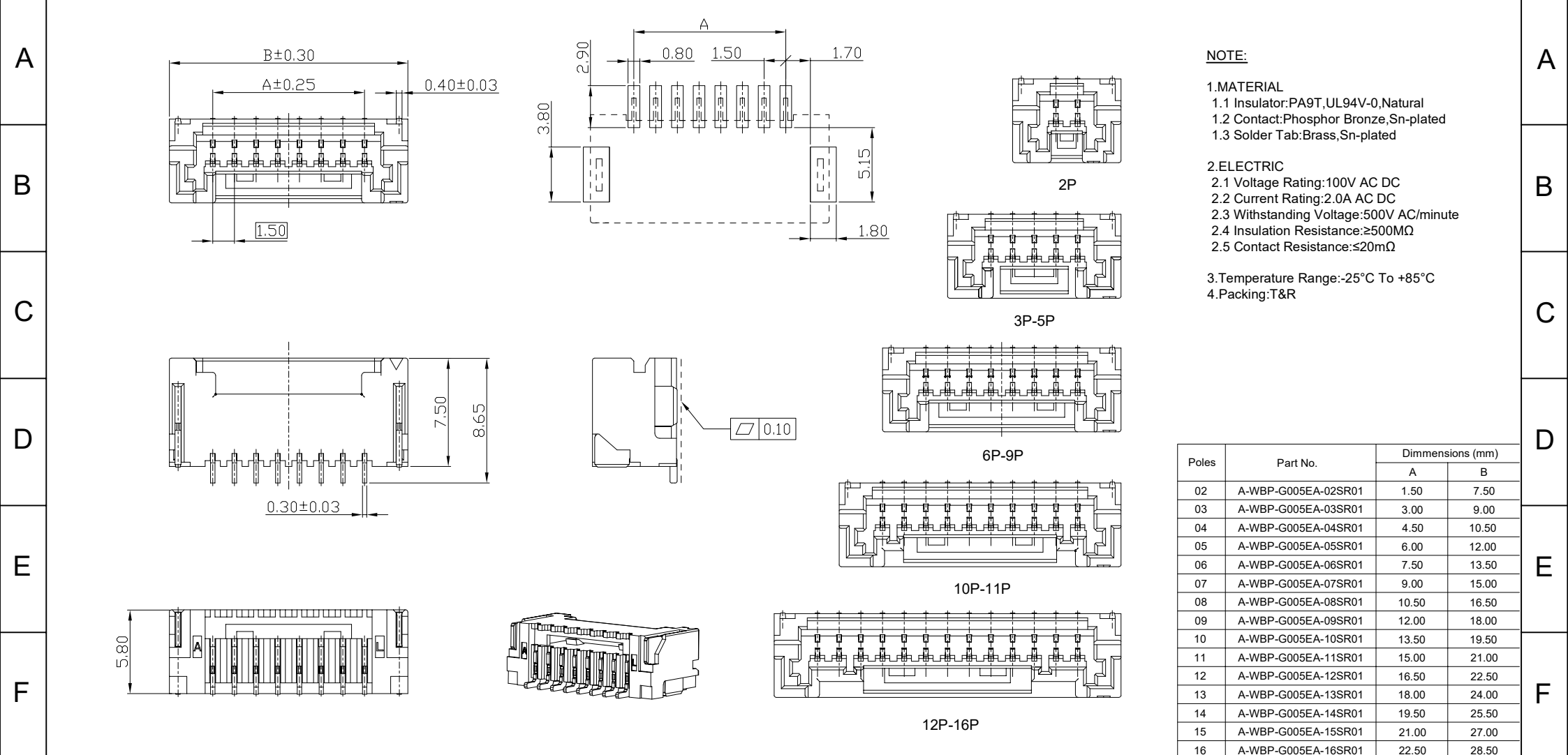
| | |
|-----------|-------|
| Scale | Free |
| TOLERANCE | |
| X. | ±0.35 |
| X.X | ±0.25 |
| X.XX | ±0.20 |
| X.XXX | ±0.15 |
| DIM | TOL |
| Angle | TOL |

| | | | |
|-----|--------------|------------|-------|
| ① | Drawn | 06.28.2022 | Peter |
| Id. | modification | Date | Name |

Date Name
 Drawn 06.28.2022 Peter
 Approved 06.28.2022 Peter

ASSMANN
WSW components

| | |
|---|----------------|
| Description: Wire to Board Wafer Pitch 1.50mm 180° SMT | |
| ASSMANN WSW-NO. A-WBP-G005EG-xxSR01 | |
| Drawing-No. ASS 9415 CO | rev00 |
| Customer-No. | SHEET 1 / 4 |



| Poles | Part No. | Dimensions (mm) | |
|-------|---------------------|-----------------|-------|
| | | A | B |
| 02 | A-WBP-G005EA-02SR01 | 1.50 | 7.50 |
| 03 | A-WBP-G005EA-03SR01 | 3.00 | 9.00 |
| 04 | A-WBP-G005EA-04SR01 | 4.50 | 10.50 |
| 05 | A-WBP-G005EA-05SR01 | 6.00 | 12.00 |
| 06 | A-WBP-G005EA-06SR01 | 7.50 | 13.50 |
| 07 | A-WBP-G005EA-07SR01 | 9.00 | 15.00 |
| 08 | A-WBP-G005EA-08SR01 | 10.50 | 16.50 |
| 09 | A-WBP-G005EA-09SR01 | 12.00 | 18.00 |
| 10 | A-WBP-G005EA-10SR01 | 13.50 | 19.50 |
| 11 | A-WBP-G005EA-11SR01 | 15.00 | 21.00 |
| 12 | A-WBP-G005EA-12SR01 | 16.50 | 22.50 |
| 13 | A-WBP-G005EA-13SR01 | 18.00 | 24.00 |
| 14 | A-WBP-G005EA-14SR01 | 19.50 | 25.50 |
| 15 | A-WBP-G005EA-15SR01 | 21.00 | 27.00 |
| 16 | A-WBP-G005EA-16SR01 | 22.50 | 28.50 |

| | | | | | | | | | | | |
|---|---------------------------|-----------|-------|-----|--------------|------------|----------|------------|--|---|-------------|
| G | RoHS compliant unit:mm | Scale | Free | | | | Date | Name | Description: Wire to Board Wafer Pitch 1.50mm 90° SMT | | |
| | | TOLERANCE | | | | | Drawn | 06.28.2022 | | Peter | |
| H | | X. | ±0.35 | | | | Approved | 06.28.2022 | Peter | ASSMANN WSW-NO. A-WBP-G005EA-xxSR01 | |
| | | X.X | ±0.25 | | | | | | | | |
| | | X.XX | ±0.20 | | | | | | | | |
| | | X.XXX | ±0.15 | | | | | | | Drawing-No. | ASS 9415 CO |
| | | DIM | TOL | ① | Drawn | 06.28.2022 | Peter | | | rev00 | |
| | | Angle | TOL | Id. | modification | Date | Name | | | Customer-No. | SHEET |

1

2

3

4

5

6

7

A

B

C

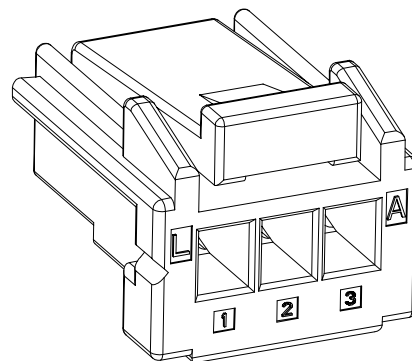
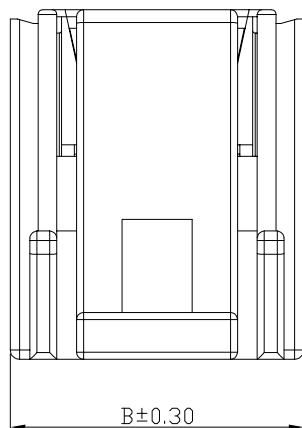
D

E

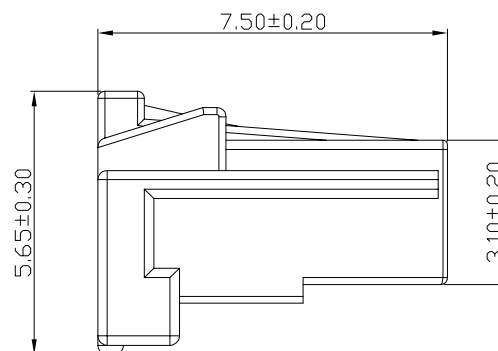
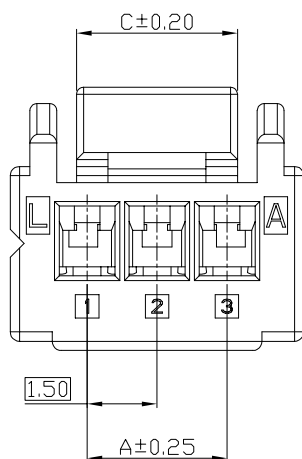
F

G

H

**NOTE:**

- 1.MATERIAL
1.1 Insulator:PA66,UL94V-0,Natural
- 2.ELECTRIC
2.1 Voltage Rating:100V AC DC
2.2 Current Rating:2.0A AC DC
2.3 Withstanding Voltage:500V AC/minute
2.4 Insulation Resistance:≥500MΩ
- 3.Temperature Range:-25°C To +85°C
4.Packing:PE bag



| Poles | Part No. | Dimmensions (mm) | | |
|-------|---------------------|------------------|-------|-------|
| | | A | B | C |
| 02 | A-WBH-G005EG-02CB01 | 1.50 | 4.80 | 1.95 |
| 03 | A-WBH-G005EG-03CB01 | 3.00 | 6.30 | 3.45 |
| 04 | A-WBH-G005EG-04CB01 | 4.50 | 7.80 | 4.95 |
| 05 | A-WBH-G005EG-05CB01 | 6.00 | 9.30 | 6.45 |
| 06 | A-WBH-G005EG-06CB01 | 7.50 | 10.80 | 7.95 |
| 07 | A-WBH-G005EG-07CB01 | 9.00 | 12.30 | 9.45 |
| 08 | A-WBH-G005EG-08CB01 | 10.50 | 13.80 | 10.95 |
| 09 | A-WBH-G005EG-09CB01 | 12.00 | 15.30 | 12.45 |
| 10 | A-WBH-G005EG-10CB01 | 13.50 | 16.80 | 13.95 |
| 11 | A-WBH-G005EG-11CB01 | 15.00 | 18.30 | 15.45 |
| 12 | A-WBH-G005EG-12CB01 | 16.50 | 19.80 | 16.95 |
| 13 | A-WBH-G005EG-13CB01 | 18.00 | 21.30 | 18.45 |
| 14 | A-WBH-G005EG-14CB01 | 19.50 | 22.80 | 19.95 |
| 15 | A-WBH-G005EG-15CB01 | 21.00 | 24.30 | 21.45 |
| 16 | A-WBH-G005EG-16CB01 | 22.50 | 25.80 | 22.95 |

RoHS compliant
unit:mm

| Scale | Free |
|-----------|-------|
| TOLERANCE | |
| X. | ±0.35 |
| X.X | ±0.25 |
| X.XX | ±0.20 |
| X.XXX | ±0.15 |
| DIM | TOL |
| Angle | TOL |

| ① | Drawn | Date | Name |
|---|--------------|------------|-------|
| | Drawn | 06.28.2022 | Peter |
| | modification | Date | Name |

Drawn 06.28.2022 Peter
Approved 06.28.2022 Peter

ASSMANN
WSW components

Description: Wire to Board Housing
Pitch 1.50mm

ASSMANN WSW-NO.
A-WBH-G005EG-xxCB01

Drawing-No.
ASS 9415 CO rev00

Customer-No. SHEET
3 / 4

1

2

3

4

5

6

7

1

2

3

4

5

6

7

A

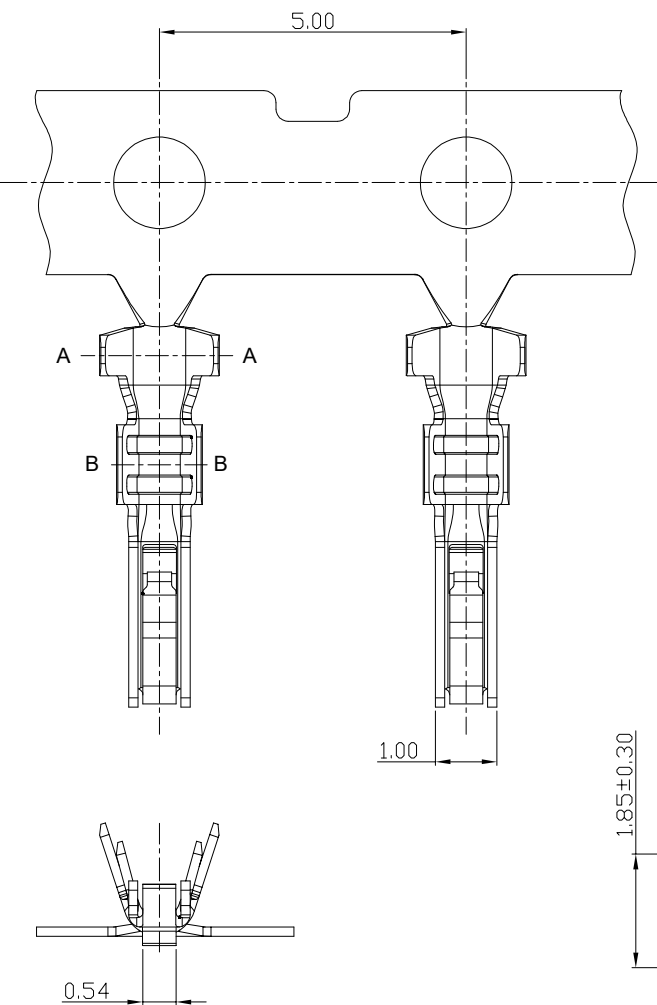
B

C

D

E

F



0.15±0.03

10.05±0.30

6.20±0.25

2.90

0.80

1.30

2.70

2.60±0.15

0.30±0.15

0.75±0.15

1.85±0.30

1.95±0.30

1.40±0.30

1.40±0.30

SECTION A-A

SECTION B-B

NOTE:

1.MATERIAL

1.1 Contact:Phosphor Bronze,Tin over Nickel

2.ELECTRIC

2.1 Voltage Rating:100V AC DC

2.2 Current Rating:2.0A AC DC

2.3 Withstanding Voltage:500V AC/minute

2.4 Insulation Resistance:≥500MΩ

2.5 Contact Resistance:≤20mΩ

3.Temperature Range:-25°C To +85°C

4.Applicable Wire:AWG#28-#24

5.Insulation O.D.:0.80~1.20mm

6.Packing:Reel

A

B

C

D

E

F

G

H

RoHS compliant

unit:mm

Scale Free

TOLERANCE

X. ±0.35

X.X ±0.25

X.XX ±0.20

X.XXX ±0.15

DIM TOL

Angle TOL

Free

①

Drawn

06.28.2022

Peter

Id.

modification

Date

Name

Date

Name

Description: Wire to Board Terminal
Pitch 1.50mm

Drawn

06.28.2022

Peter

Approved

06.28.2022

Peter

ASSMANN WSW-NO.

A-WBT-G005EG-01CR01

Drawing-No.

ASS 9415 CO

rev00

Customer-No.

SHEET
4 / 4

1

2

3

4

5

6

7