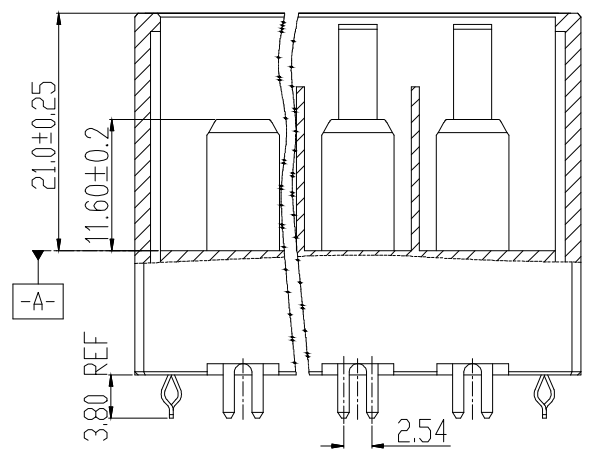
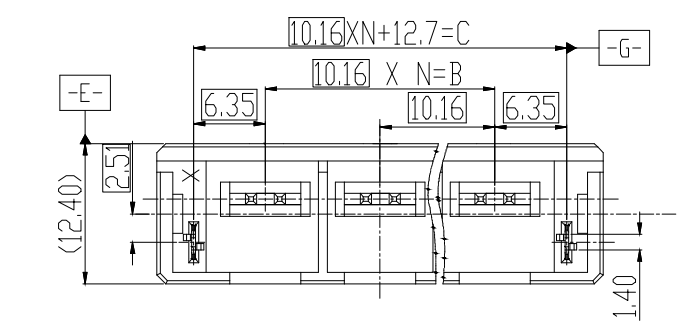
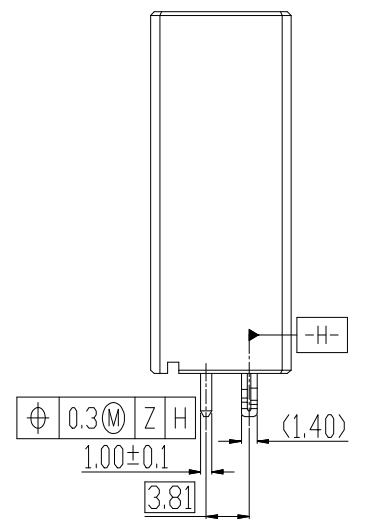
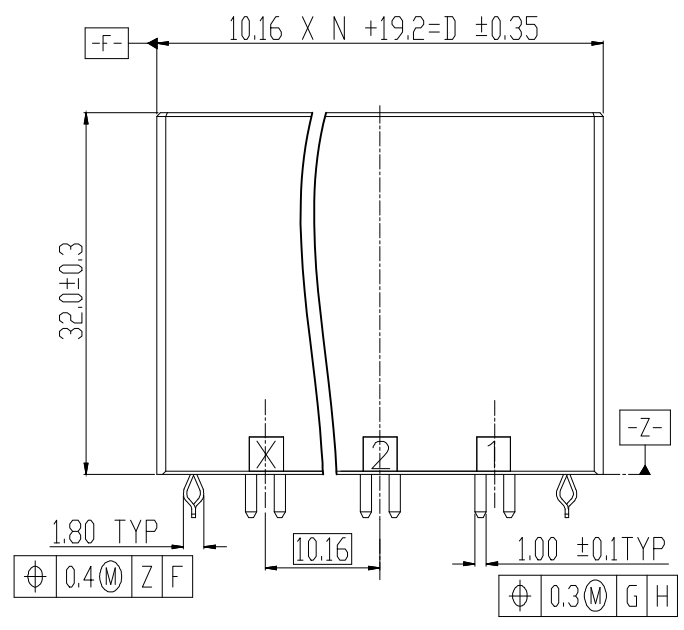


PCB BOARD TOLERANCE ±0.05
 PCB THICKNESS: 1.6 ~ 2.4 ±0.1
 PCB Trace Thickness : More than 5oz



- NOTE:**
- MATERIAL**
 - Insulator: PBT+G.F, UL94V-0, Black
 - Contact: Copper Alloy, Au or Tin over Nickel
 - FINISH**
 - Contact plating: 15u" Gold on contact area, 100u" matte tin on solder area, 50u" Ni under-plating overall.
 - ELECTRICAL**
 - Current Rating: 33A (2Pin), 32A (3Pin), 30A (6Pin), 10AWG ambient temperature: 25°C, temperature rising: 80°C
 - Voltage Rating: 630V AC/DC
 - Contact Resistance: 2mΩ Max
 - Withstand Voltage: 3000V AC
 - Insulation Resistance: 1000MΩ Min
 - Operating Temperature: -40°C To +125°C
 - Recommended Process: Wavesolder Peak temperature: 260±5°C, 5S
 - Packing: Tube
- Order Coding: A-WBP-ZA16EG-xxTT0x
 1: Type X
 2: Type Y



RoHS compliant
 unit:mm

Scale	Free
TOLERANCE	
X.X	±0.40
X.XX	±0.25
X.XXX	±0.15
DIM	TOL
Angle	±3°

Drawn	08.23.2022	Peter
Approved	08.23.2022	Peter
①	Drawn	08.23.2022
Id.	modification	Date



Description: Wire to Board Wafer Pitch 10.16mm 180° THT	
ASSMANN WSW-NO. A-WBP-ZA16EG-xxTT0x	
Drawing-No. ASS 9452 CO	rev00
Customer-No.	SHEET 1 / 5

1

2

3

4

5

6

7

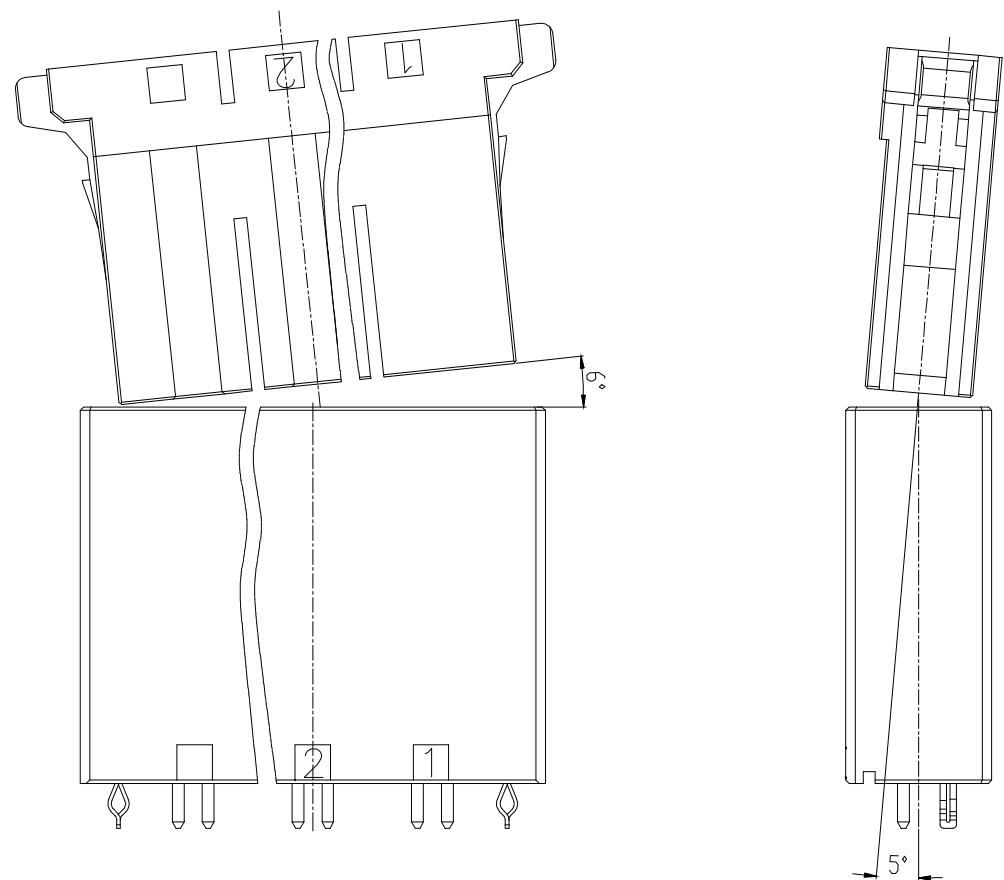
A

A

ALLOWED INCLINATION FOR A SECURE SELF-CENTERING

B

B



PIN	N	A	B	C	D	E	Part No.	Type	Reference figure
2	1	10.16	10.16	22.86	29.36	24.76	A-WBP-ZA16EG-02TT01	X	
							A-WBP-ZA16EG-02TT02	Y	
3	2	20.32	20.32	33.02	39.52	34.92	A-WBP-ZA16EG-03TT01	X	
							A-WBP-ZA16EG-03TT02	Y	
4	3	30.48	30.48	43.18	49.68	45.08	A-WBP-ZA16EG-04TT01	X	
							A-WBP-ZA16EG-04TT02	Y	
6	5	50.8	50.8	63.5	70.0	65.4	A-WBP-ZA16EG-06TT01	X	
							A-WBP-ZA16EG-06TT02	Y	

F

F

G

RoHS compliant

unit:mm

Scale Free

TOLERANCE

X.X ±0.40

X.XX ±0.25

X.XXX ±0.15

DIM TOL

Angle ±3°

①

Id.

Drawn

modification

08.23.2022

Date

Peter

Name

Drawn

Approved

Date

08.23.2022

08.23.2022

Name

Peter

Peter

G

G

H

H

1

2

3

4

5

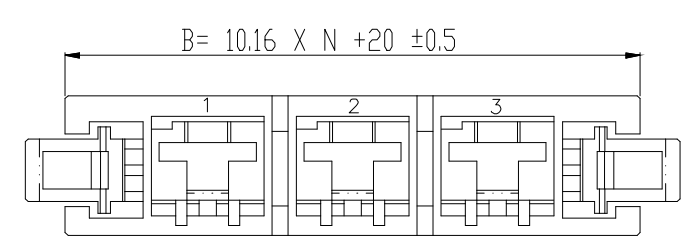
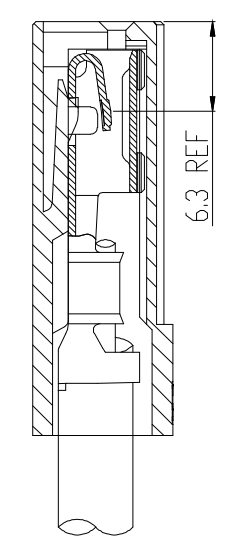
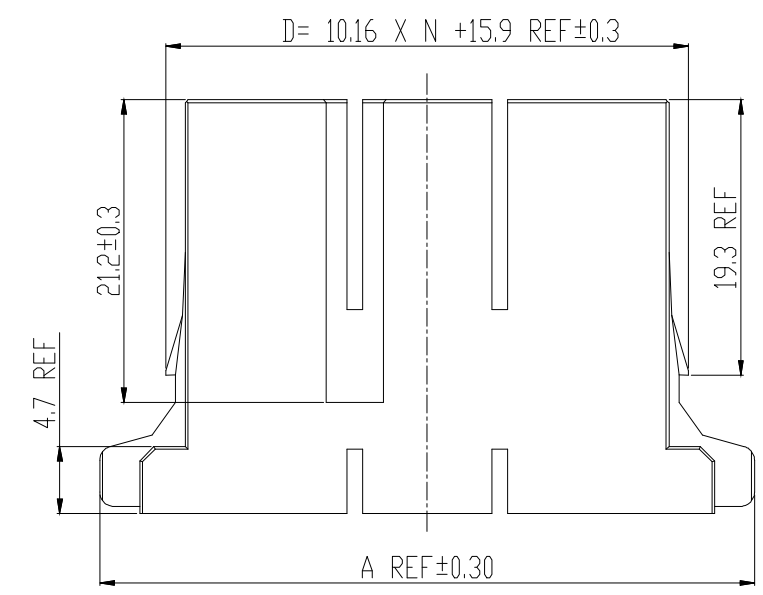
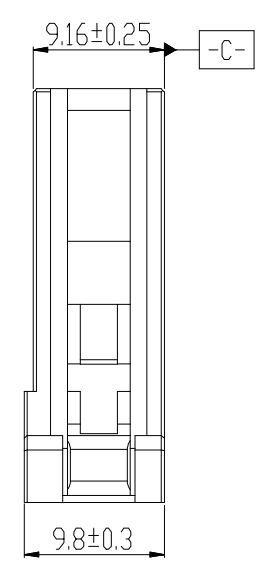
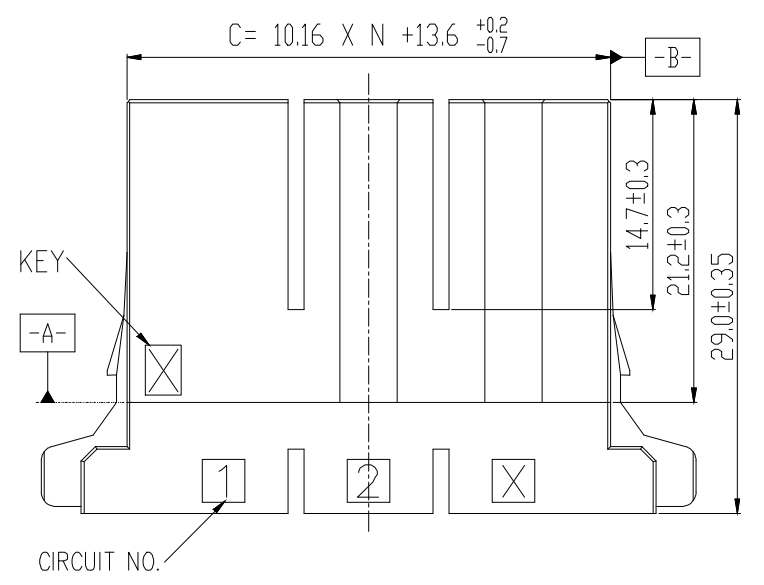
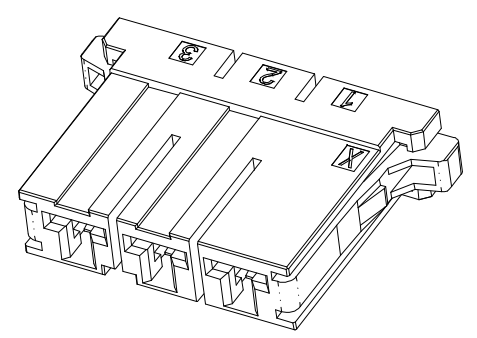
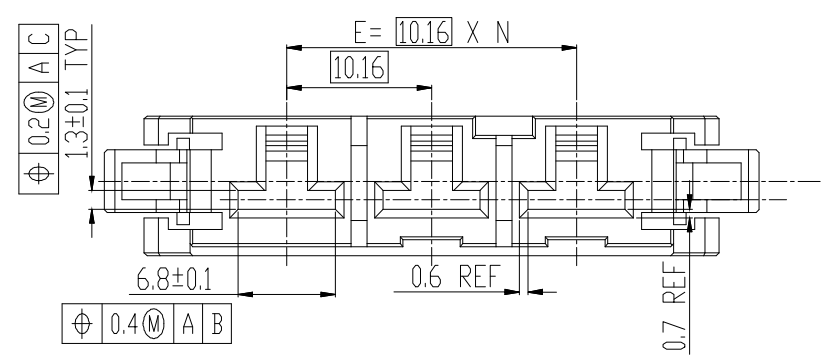
6

7

NOTE:

- 1.MATERIAL
 - 1.1 Insulator: PBT+G.F,UL94V-0,Black
- 2.ELECTRICAL
 - 2.1 Voltage Rating:630V AC/DC
 - 2.2 Withstand Voltage:3000V AC
 - 2.3 Insulation Resistance:1000MΩ Min
- 3.Operating Temperature:-40°C To +125°C
- 4.Packing:PE bag
- Order Coding:A-WBH-ZA16EG-xxCB0x

1:Type X
2:Type Y



RoHS compliant
unit:mm

Scale	Free
TOLERANCE	
X.X	±0.40
X.XX	±0.25
X.XXX	±0.15
DIM	TOL
Angle	±3°

①	Drawn	08.23.2022	Peter
Id.	modification	Date	Name

Date: 08.23.2022
Name: Peter
Description: Wire to Board Housing
Pitch 10.16mm
Drawn: 08.23.2022
Approved: 08.23.2022
ASSMANN WSW components

Description: Wire to Board Housing Pitch 10.16mm	
ASSMANN WSW-NO. A-WBH-ZA16EG-xxCB0x	
Drawing-No. ASS 9452 CO	rev00
Customer-No.	SHEET 3 / 5

1

2

3

4

5

6

7

A

A

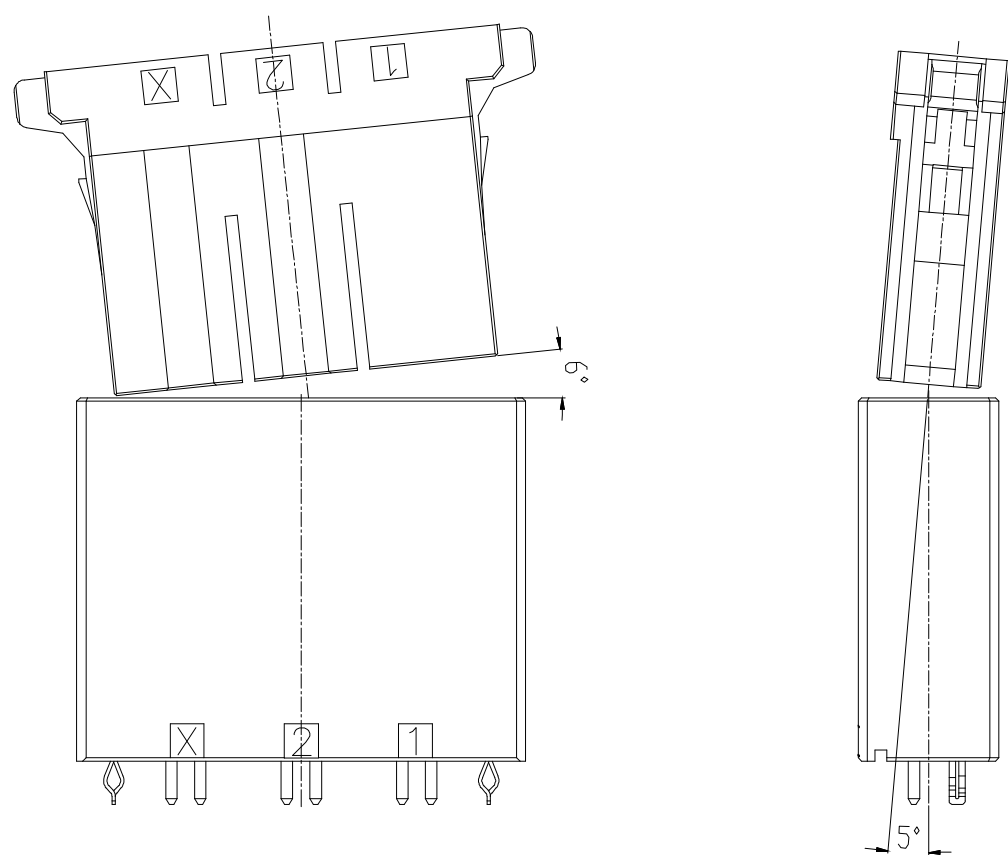
B

B

ALLOWED INCLINATION FOR A SECURE SELF-CENTERING

C

C



D

D

E

E

F

F

PIN	N	A	B	C	D	E	F	Part No.	Type	Reference figure
2	1	35.76	30.16	23.76	26.06	10.16	19.28	A-WBH-ZA16EG-02CB01	X	
								A-WBH-ZA16EG-02CB02	Y	
3	2	45.92	40.32	33.92	36.22	20.32	29.44	A-WBH-ZA16EG-03CB01	X	
								A-WBH-ZA16EG-03CB02	Y	
4	3	53.68	50.48	44.08	46.38	30.48	39.62	A-WBH-ZA16EG-04CB01	X	
								A-WBH-ZA16EG-04CB02	Y	
6	5	73.02	70.80	64.40	66.70	50.80	59.92	A-WBH-ZA16EG-06CB01	X	
								A-WBH-ZA16EG-06CB02	Y	

G

G

RoHS compliant
unit:mm

Scale	Free
TOLERANCE	
X.X	±0.40
X.XX	±0.25
X.XXX	±0.15
DIM	TOL
Angle	±3°

Drawn	08.23.2022	Peter
modification	Date	Name

Date	08.23.2022
Name	Peter
Date	08.23.2022
Name	Peter

Description: Wire to Board Housing Pitch 10.16mm	
ASSMANN WSW-NO. A-WBH-ZA16EG-xxCB0x	
Drawing-No. ASS 9452 CO	rev00
Customer-No.	SHEET 4 / 5

H

H

1

2

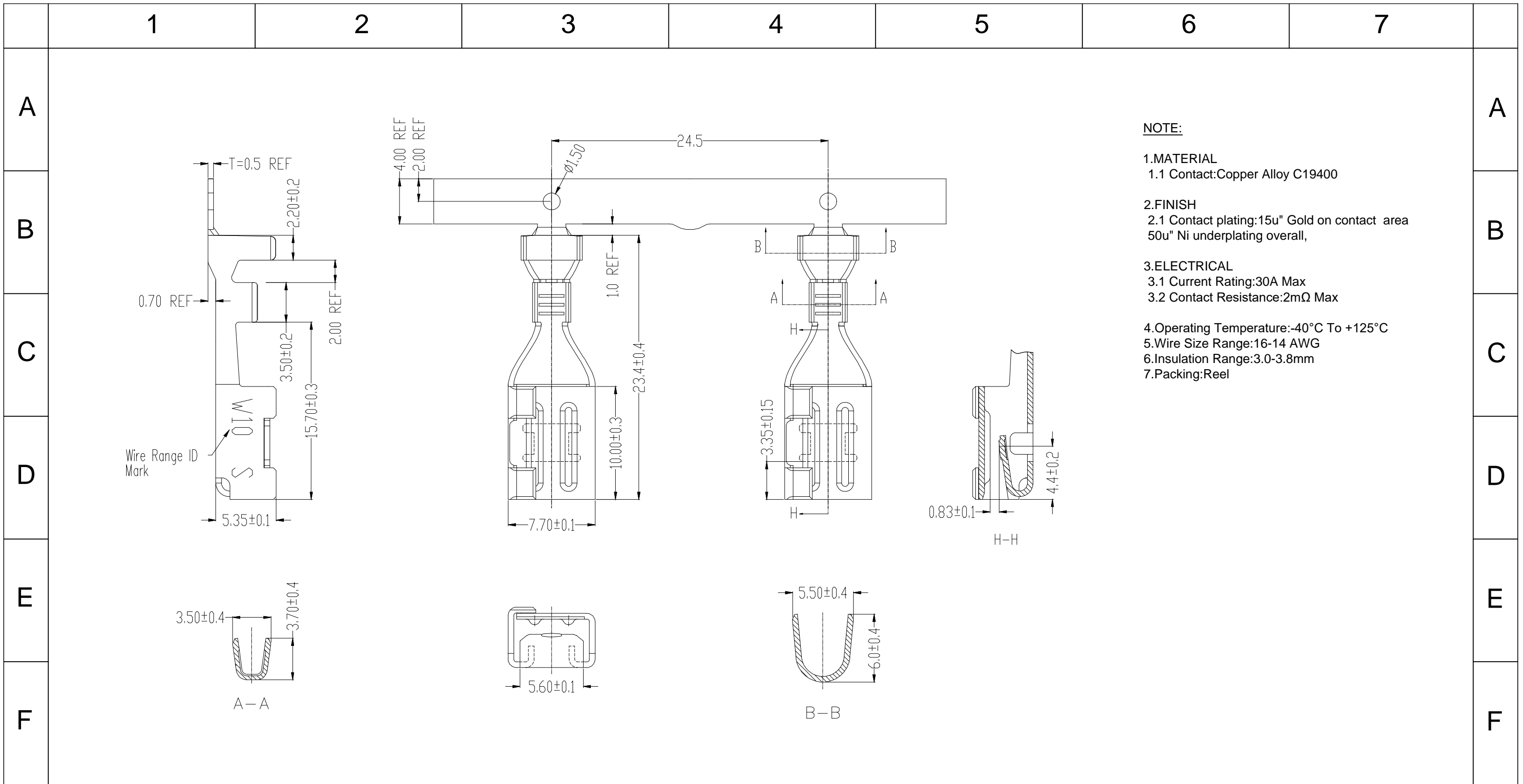
3

4

5


6

7



NOTE:

- MATERIAL**
1.1 Contact: Copper Alloy C19400
- FINISH**
2.1 Contact plating: 15u" Gold on contact area
50u" Ni underplating overall,
- ELECTRICAL**
3.1 Current Rating: 30A Max
3.2 Contact Resistance: 2mΩ Max
- Operating Temperature:** -40°C To +125°C
- Wire Size Range:** 16-14 AWG
- Insulation Range:** 3.0-3.8mm
- Packing:** Reel

G	RoHS compliant unit:mm	Scale	Free					Date	Name	Description: Wire to Board Terminal
		TOLERANCE						Drawn	08.23.2022	
		X.X	±0.40					Approved	08.23.2022	Peter
		X.XX	±0.25							ASSMANN WSW-NO.
		X.XXX	±0.15							A-WBT-ZA16EG-01CR01
H		DIM	TOL							Drawing-No.
										ASS 9452 CO
		Angle	±3°	Id.	modification	Date	Name	Customer-No.		SHEET 5 / 5