

1

2

3

4

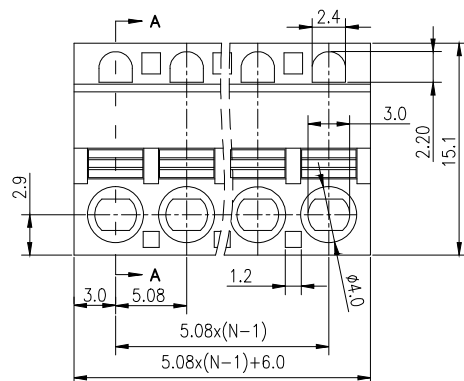
5

6

7

A

A



Note:

1.Material

- 1.1 Item (1) Housing:PA66,UL 94V-0,Black
- 1.2 Item (2) Cover:PA66,UL 94V-0,Black
- 1.3 Item (3) Button:PA66,UL 94V-0
- 1.4 Item (4) Clip:Phosphor Bronze,Ni plated
- 1.5 Item (5) Contact:Stainless Steel

2.Electrical

- 2.1 Voltage Rating:300V/320V
- 2.2 Current Rating:15A/20A
- 2.3 Contact Resistance:20mΩ
- 2.4 Insulation Resistance:5000MΩ Min
- 2.5 Withstanding Voltage:2500V AC/1Min

3.Wire Range:26-12AWG 2.5mm²

4.Strip Length:10mm

5.Operating temperature: -40°C to +105°C

B

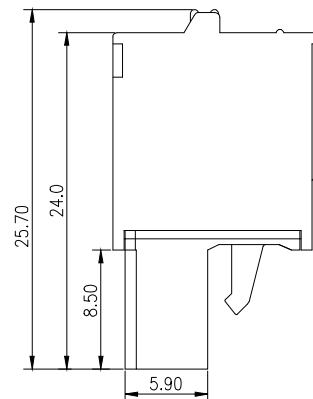
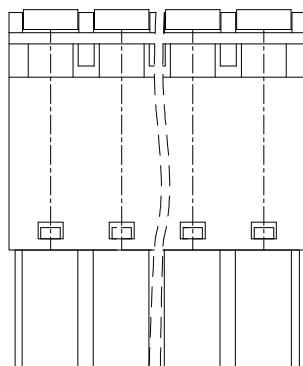
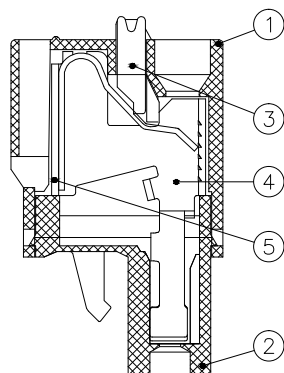
B

C

C

D

D



E

E

F

F

| DIM | ≤6 | >6~10 | >10~24 | ≤30 | >30~60 | >60~100 | >100~150 | >150 |
|-----|-------|-------|--------|-------|--------|---------|----------|-------|
| TOL | ±0.10 | ±0.15 | ±0.25 | ±0.20 | ±0.30 | ±0.50 | ±0.70 | ±1.00 |

G

G

RoHS compliant
Unit: mm

Scale Free

TOLERANCE

DIM TOL

Angle TOL

Free

①

Id.

| Id. | Modification | Date | Name |
|-----|--------------|------------|--------|
| ① | Drawn | 11.03.2023 | Winnie |

Date

Name

Approved

11.03.2023

Winnie

Description: Terminal Block

Pitch 5.08mm

ASSMANN WSW-No.

A-TB0508-xxSFG01-BK

Drawing-No.

ASS 9713 CO

rev00

Customer-No.

Sheet
1 / 1

ASSMANN
WSW components
A company of BCS

H

H

1

2

3

4

5

6

7