

1

2

3

4

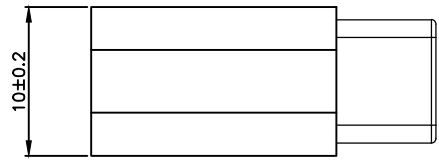
5

6

7

A

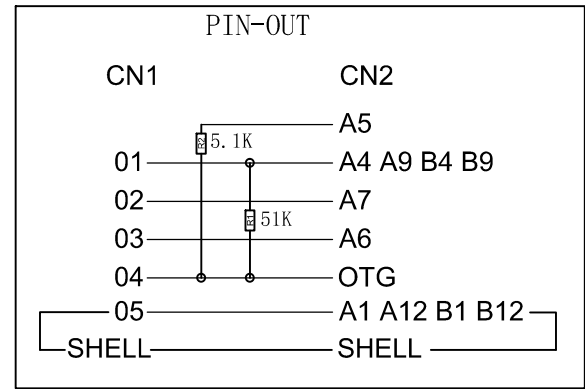
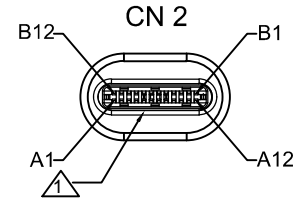
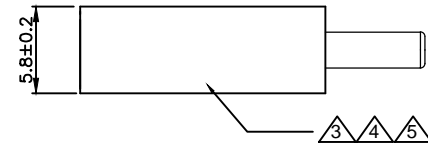
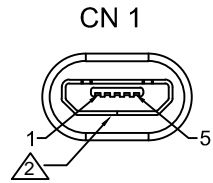
A



NOTE:
 1. 100% test short, open & mis-wiring
 2. Support power & data transmission and OTG

B

B

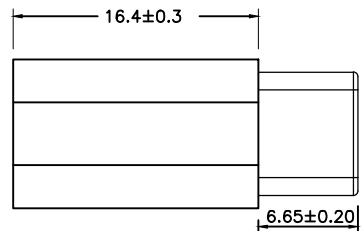


C

C

D

D



E

E

F

F

⑤	Cover	Aluminium alloy cover black	1	PCS
④	Inner-mold	45P Black PVC	AR	G
③	PCB	PCBA with resistors	1	PCS
②	Connector	Micro USB2.0 BF Contacts:G/F	1	PCS
①	Connector	USB CM Contacts: G/F	1	PCS
ITEM	NAME	DESCRIPTION	Q'TY	UNIT

G

G

RoHS compliant
 unit:mm

Scale	Free
TOLERANCE	
X.X	±0.20
X.XX	±0.10
X.XXX	±0.05
DIM	TOL
X°	±2°
Angle	TOL

Drawn	14.08.2024	Luca	Date	Name
Approved	14.08.2024	Luca	Date	Name
①	Drawn	14.08.2024	Date	Name
Id.	Modification	Date	Name	

Description: Adapter
 USB CM/Micro USB2.0 BF

ASSMANN WSW-NO.
A-AD-01M-04F-1G1

Drawing-No.
ASS 9882 CO rev00

Customer-No.
 Sheet 1 / 1

H

H

1

2

3

4

5

6

7

