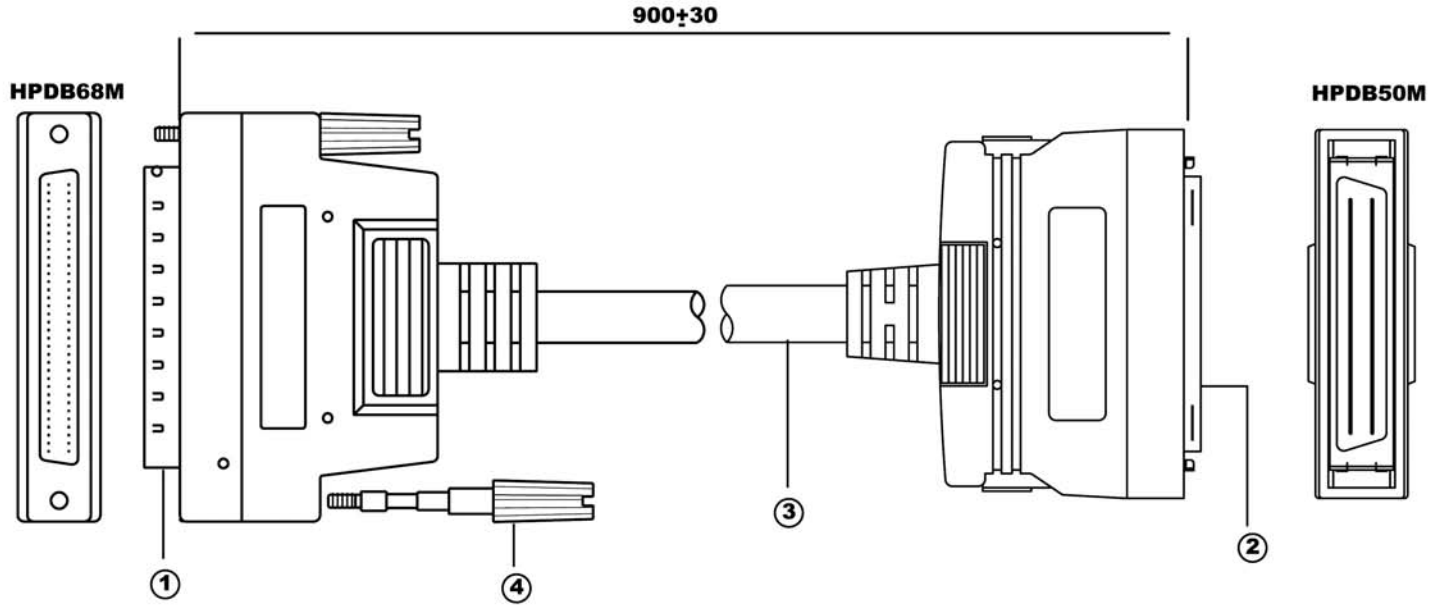
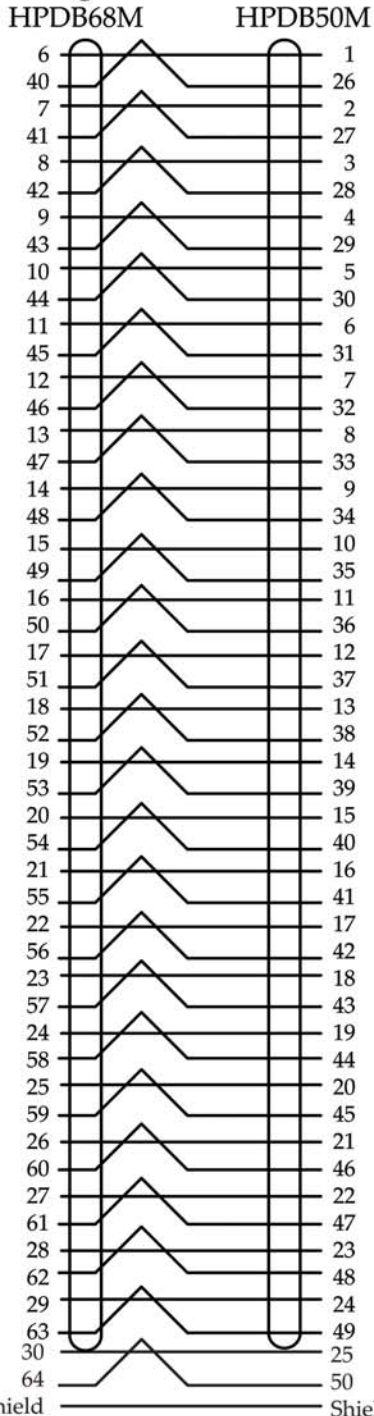


Configuration:



**Material:**

- 1.Cable: UL2919, #28,25P+AL/MY+1+B O.D:9.5(I.D=0.75)
- 2.Connector:HPDB68M, I.D.C  
HPDB50M,I.D.C
- 3.Thumbscrew:#2-56UNC
- 4.Copper Tape:(10x135)+(35x110)  
(10x105)+(25x85)

**Note:**

- 1.Total Length:900±30mm  
Cable Cut:950mm
- 2.Color: Beige
- 3.Molded Type
- 4.360°Solder



ITEM NO	AK-Y1303-R (3 Feet)
TITLE	Cable SCSI-3 Adapter 50 Conductor 50 Pin (HPDB50) to 68 Pin (HPDB68)

**ASSMANN**  
Electronics, Inc.

1840 W. Drake Drive, Suite 101 - Tempe, AZ 85283  
Toll Free: 1-877-277-6266 Email: info@usa-assmann.com

THIS DRAWING IS UNPUBLISHED  
© Copyright 2008 by Assmann Electronic Components  
All International Rights Reserved