



ASSMANN WSW components GmbH  
Auf dem Schüffel 3  
D-58513 Lüdenscheid  
Fon: +49-2351-554-0  
Fax: +49-2351-554-99226

---

## Product Change Notification (PCN)

---

Issue Date : 10.10.2010  
Modification/Revision Date: 10.10.2010

### Finger Shaped Heat Sink

**Change Notification #** PCN20101010-10

**Change Description :**  
Change of part number

**Date of Change and Implementation :**  
10.10.2010

**Key Characteristics of Change :**  
Commercial

**Products Affected :**  
Change V5236BP into V5236BP-T

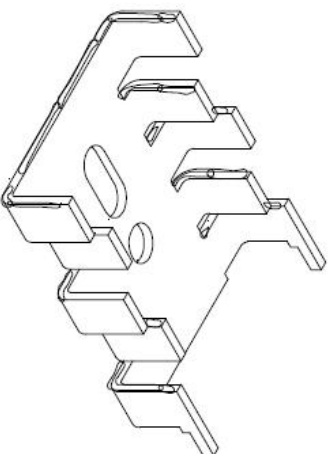
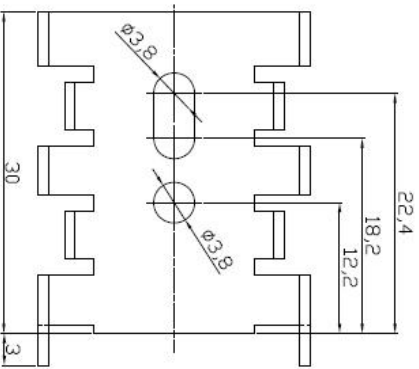
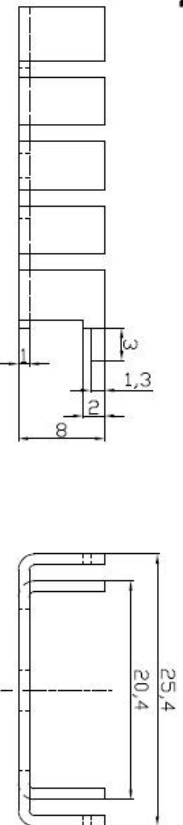
**Reason for Change :**  
New tooling, switch to new production line

**Response :**  
PM

**Reference Documents / Attachments:**  
Drawing ASS\_0475\_HSrev03

1 2 3 4 5 6 7

**RoHS compliant**



Notes  
Material:AL99.5-1mm

Option	Version	Thermal resistance
V5236BP-T	Black anodized	18
V5236SNP-T	Tinned solderable	18

Scale	1:1	Customer-No.
TOLERANCE		
X.	±X	Drawn 20.08.2009 Dean
X.X	±X	Approved 09.10.2010 Andy
X.XX	±X	09.10.2010 Dean
DIM	TOL	10.03.2010 Dean
X.°	±X°	20.06.2009 Dean
X.X°	±X°	
Angle	TOL	

Id.	Modification	Date	Name	Drawing-No.	Replace	Sheet
1	Drawn	20.06.2009	Dean	ASSMANN WSW-No. V5236BP-T	ASS 0475 HS	rev03
2	Modify P/N	09.10.2010	Dean	ASSMANN WSW-No. V5236SNP-T		
3	Modify drawing layout	10.03.2010	Dean			
4	Drawn	20.06.2009	Dean			

1	2	3	4	5	6	7
---	---	---	---	---	---	---

