
Product Change Notification(PCN)

Issue Date: 16.01.2013
Modification / Revision Date: 16.01.2013

Power inlet , with flange and fuse, 6.3mm Fast-on tabs (2010 catalogue page 172)

Change Notification # : PCN 20131501-A-KGS-F_T2F

Description of changes:

1. Amendment of the specification
2. Dimension TOLERANCE : New : .X +-0.3 / .XX +-0.2 // .XXX +_0.1
Ang. +-3°
3. Dimension overall height : New : 21.0 mm
4. Dimension Face heigh : New : 31 mm
5. Dimension overall length : New : 44.2 mm
6. Dimension Flange holes : New : dia.3.4 mm
7. Dimension Panel Cut-Out : New : 27.2 x 31 mm
8. Material Cover : New : PA66
9. Catalogue 2010 shows different specification
10. Draw.-No. ASS 0889P COrev02 substitutes ASS 0889P COrev01

Date of change and Implementation Change: December 2012 / Implementation: January 2013

Key Characteristics of Change: some tiny dimensions and tolerances

Products Affected: A-KGS-F/T2F

Reason for Change: Change of manufacturing location

Response : No response to this notification is required.

ASSMANN WSW components GmbH
Auf dem Schüffel 1
D-58513 Lüdenscheid
Tel.: +49-2351 - 554-0
Fax: +49-2351 - 554-99225

Product Change Notification(PCN)

Issue date: 16.01.2013

Modification / Revision date: 16.01.2013

Reference Documents / Attachments:

Document: Drawing

ASSMANN WSW P/N	Drawing Number
A-KGS-F/T2F	ASS 0889P COrev02

As attached

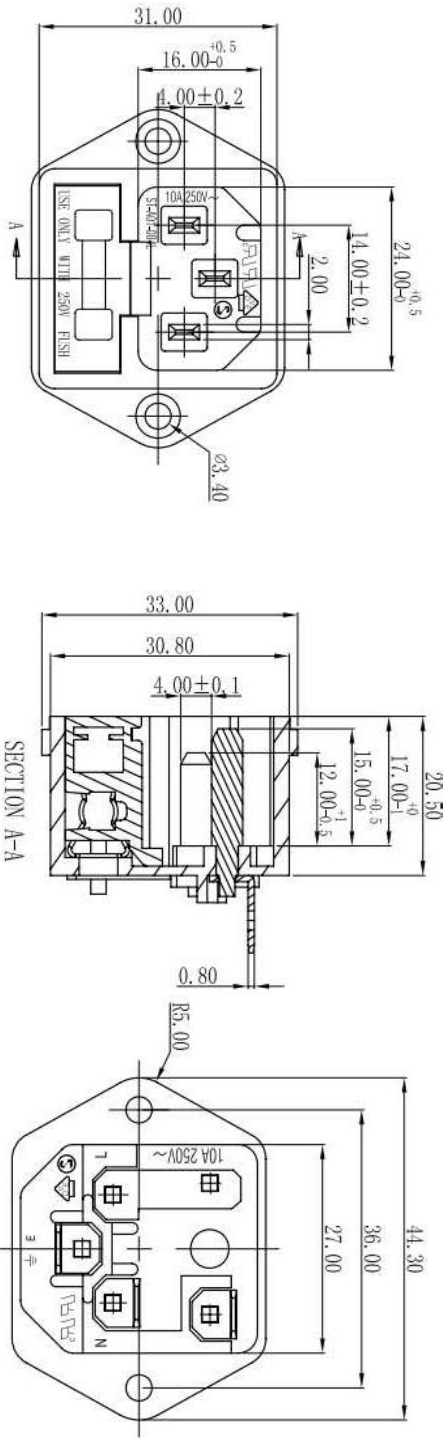
PCN Revision History:

Date of Revision: 26.08.2008
16.01.2013

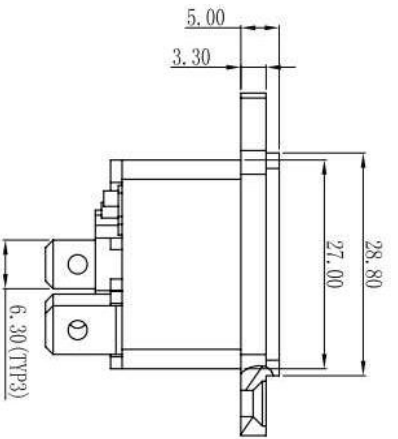
Revision Number: 00
Revision Number: 01

1	2	3	4	5	6	7
---	---	---	---	---	---	---

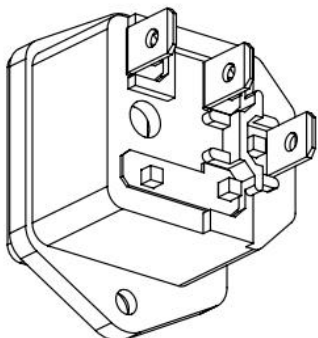
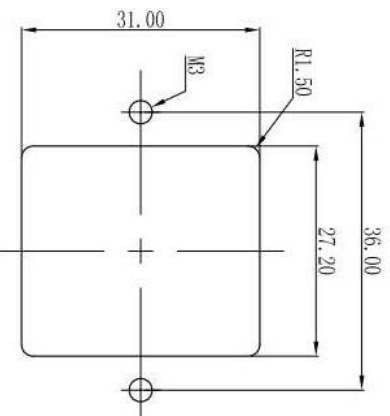
- NOTES:**
1. Insulator: PBT UL94-0 Color : Black
 2. Soldering: Alloy Copper Tin PLATING
 3. Contact : Alloy Copper Ni PLATING
 4. Electrical: 10A/15A 250V~
 5. Approval: RL ut
RL coll.
VIE
SEMKO
CCC



SECTION A-A



PANEL CUT-OUT



H	<p style="text-align: center;">RoHS compliant</p>							H																																																															
G	<table border="1"> <tr> <td>Scale</td> <td colspan="2">1:1</td> <td></td> <td></td> <td></td> <td></td> <td></td> <td></td> </tr> <tr> <td>TOLERANCE</td> <td colspan="2"></td> <td></td> <td></td> <td></td> <td></td> <td></td> <td></td> </tr> <tr> <td>0-10</td> <td colspan="2">±0.1</td> <td></td> <td></td> <td></td> <td></td> <td></td> <td></td> </tr> <tr> <td>10-30</td> <td colspan="2">±0.3</td> <td></td> <td></td> <td></td> <td></td> <td></td> <td></td> </tr> <tr> <td>30-100</td> <td colspan="2">±0.5</td> <td></td> <td></td> <td></td> <td></td> <td></td> <td></td> </tr> <tr> <td>DIM</td> <td colspan="2">TOL</td> <td></td> <td></td> <td></td> <td></td> <td></td> <td></td> </tr> <tr> <td>UNIT</td> <td colspan="2">mm</td> <td></td> <td></td> <td></td> <td></td> <td></td> <td></td> </tr> </table>							Scale	1:1								TOLERANCE									0-10	±0.1								10-30	±0.3								30-100	±0.5								DIM	TOL								UNIT	mm								G
Scale	1:1																																																																						
TOLERANCE																																																																							
0-10	±0.1																																																																						
10-30	±0.3																																																																						
30-100	±0.5																																																																						
DIM	TOL																																																																						
UNIT	mm																																																																						
F	<table border="1"> <tr> <td>Change of plant</td> <td>18.12.2012</td> <td>Wimle</td> <td></td> <td></td> <td></td> <td></td> <td></td> </tr> <tr> <td>Drawn</td> <td>08.07.2009</td> <td>Dean</td> <td></td> <td></td> <td></td> <td></td> <td></td> </tr> </table>							Change of plant	18.12.2012	Wimle						Drawn	08.07.2009	Dean						F																																															
Change of plant	18.12.2012	Wimle																																																																					
Drawn	08.07.2009	Dean																																																																					
E	<table border="1"> <tr> <td>Date</td> <td>08.07.2009</td> <td>Name</td> <td>Dean</td> <td></td> <td></td> <td></td> <td></td> </tr> <tr> <td>Date</td> <td>18.12.2012</td> <td>Name</td> <td>Wimle</td> <td></td> <td></td> <td></td> <td></td> </tr> </table>							Date	08.07.2009	Name	Dean					Date	18.12.2012	Name	Wimle					E																																															
Date	08.07.2009	Name	Dean																																																																				
Date	18.12.2012	Name	Wimle																																																																				
D	<table border="1"> <tr> <td>Customer-No.</td> <td colspan="2">ASSMANN WS/W-No.</td> <td></td> <td></td> <td></td> <td></td> <td></td> </tr> <tr> <td></td> <td colspan="2">A-KGS-F/T2F</td> <td></td> <td></td> <td></td> <td></td> <td></td> </tr> <tr> <td></td> <td colspan="2">Drawing-No.</td> <td></td> <td></td> <td></td> <td></td> <td></td> </tr> <tr> <td></td> <td colspan="2">ASS 0889P CO</td> <td></td> <td></td> <td></td> <td></td> <td></td> </tr> <tr> <td></td> <td colspan="2">Replace</td> <td></td> <td></td> <td></td> <td></td> <td></td> </tr> <tr> <td></td> <td colspan="2"></td> <td></td> <td></td> <td></td> <td></td> <td></td> </tr> </table>							Customer-No.	ASSMANN WS/W-No.								A-KGS-F/T2F								Drawing-No.								ASS 0889P CO								Replace															D															
Customer-No.	ASSMANN WS/W-No.																																																																						
	A-KGS-F/T2F																																																																						
	Drawing-No.																																																																						
	ASS 0889P CO																																																																						
	Replace																																																																						
C	<table border="1"> <tr> <td>Id.</td> <td>Modification</td> <td>Date</td> <td>Name</td> <td></td> <td></td> <td></td> <td></td> </tr> <tr> <td>①</td> <td>Drawn</td> <td>08.07.2009</td> <td>Dean</td> <td></td> <td></td> <td></td> <td></td> </tr> <tr> <td>②</td> <td>Change of plant</td> <td>18.12.2012</td> <td>Wimle</td> <td></td> <td></td> <td></td> <td></td> </tr> </table>							Id.	Modification	Date	Name					①	Drawn	08.07.2009	Dean					②	Change of plant	18.12.2012	Wimle					C																																							
Id.	Modification	Date	Name																																																																				
①	Drawn	08.07.2009	Dean																																																																				
②	Change of plant	18.12.2012	Wimle																																																																				
B	<table border="1"> <tr> <td>UNIT</td> <td colspan="2">mm</td> <td></td> <td></td> <td></td> <td></td> <td></td> </tr> </table>							UNIT	mm							B																																																							
UNIT	mm																																																																						
A	<table border="1"> <tr> <td>1</td> <td>2</td> <td>3</td> <td>4</td> <td>5</td> <td>6</td> <td>7</td> </tr> </table>							1	2	3	4	5	6	7	A																																																								
1	2	3	4	5	6	7																																																																	