
Product Change Notification(PCN)

Issue Date: 17.01.2013
Modification / Revision Date: 17.01.2013

Power inlet , with snap-in and fuse, 4.8mm solder tabs (2010 catalogue page 173)

Change Notification # : PCN 20131701-A-KGS-S_T1F

Description of changes:

1. Amendment of the specification
2. Dimension overall length : New : 30.6 mm
3. Dimension insulator length : New : 20.60 mm
4. Dimension insulator heigh : New : 31.60 mm
5. Dimension insulator width : New : 30.20 mm
6. Dimension Face heigh : New : 27.50 mm
7. Dimension overall width : New : 35.9 mm
8. Dimension Panel-cut-out : New : 27.5 x 31.4 mm or 27.5 x 31.6 mm
9. Material Insulator : New : PBT
10. Catalogue 2010 shows different specification
11. Draw.-No. ASS 0889D C0rev03 substitutes ASS 0889D C0rev02

Date of change and Implementation Change: December 2012 / Implementation: January 2013

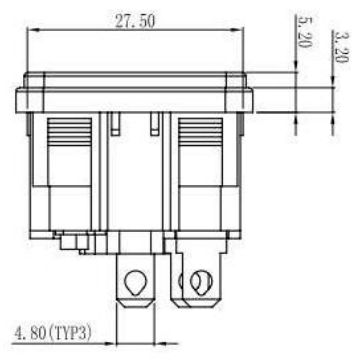
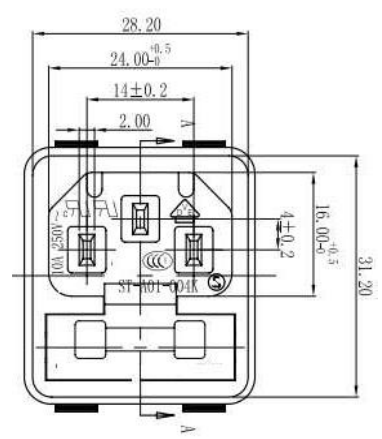
Key Characteristics of Change: some tiny dimensions and tolerances

Products Affected: A-KGS-S/T1F

Reason for Change: Change of manufacturing location

Response : No response to this notification is required.

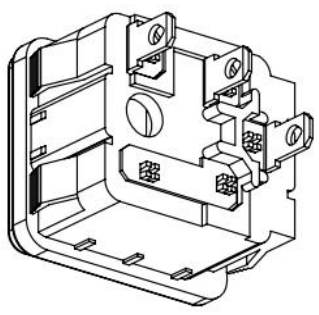
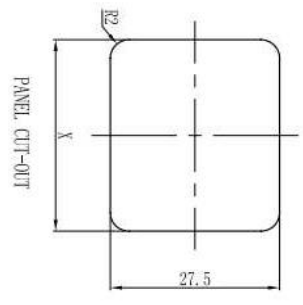
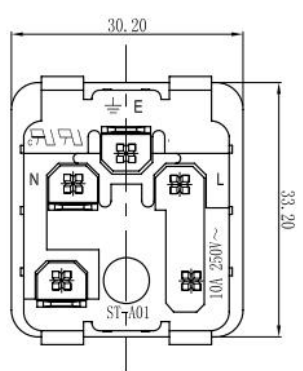
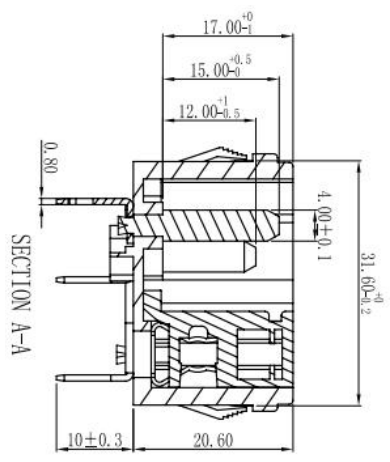
1 2 3 4 5 6 7



THICKNESS	X
0.8~1.8	31.4
1.9~3.2	31.6

- NOTES:**
1. Insulator: PBTUL94V-0 Color: Black
 2. Soldering: Alloy Copper Ni PLATING
 3. Contact : Alloy Copper Tin PLATING
 4. Electrical: 10A/15A 250V~
 5. Approval:

PU UR
 PU CUL
 VAE
 SSKMO
 CCC



Scale	1:1								
TOLERANCE									
0-10	±0.1								
10-30	±0.2								
30-100	±0.5								
DIM	TOL	①	②	③	Change of plant	18.12.2012	Wlnhle		
		②	Update		08.07.2009		Dean		
		①	Drawn		14.12.2007		N.Schulz		
UNIT	mm	Id.	Modification	Date	Name	 ASSMANN WSW/ components			
1	2	3	4	5	6	7	Customer-No. ASSMANN WSW-No. A-KGS-S/T1F Drawing-No. ASS 0889D CO Replace SHEET		

RoHS compliant

H G F E D C B A