
Product Change Notification(PCN)

Issue Date: 28.10.2014
Modification / Revision Date: 28.10.2014

Solder terminal (2010 catalogue page 293)

Change Notification # : PCN 20141028-AB_8

Description of changes:
1. Change of dimensions
2. Draw.-No. ASS_0785_COev02 substitutes ASS_0785_COrev01

Date of change and Implementation: Change: WK04 /2014 [Datecode of Production]
Implementation: WK04 /2014

Key Characteristics of Change: Change of dimensions

Products Affected: AB 8

Reason for Change: Update of standard-product-range for solder terminals

Response : No response to this notification is required.

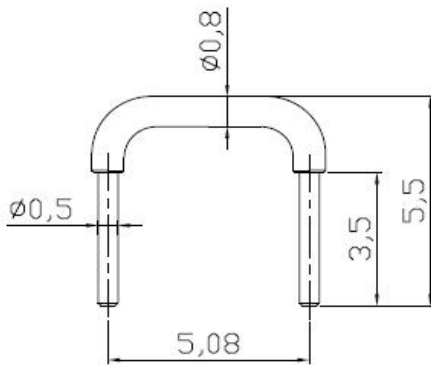
Product Change Notification(PCN)

Issue date: 28.10.2014

Modification / Revision date: 28.10.2014

AB 8

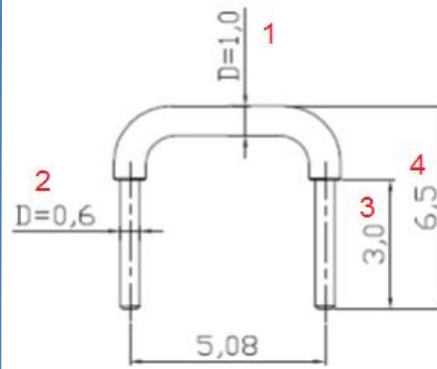
Old version:



<u>dimension 1</u>	<u>Ø 0,8</u>
<u>dimension 2</u>	<u>Ø 0,5</u>
<u>dimension 3</u>	<u>3,50</u>
<u>dimension 4</u>	<u>5,50</u>

AB 8

New version



<u>dimension 1</u>	<u>Ø 1,0</u>
<u>dimension 2</u>	<u>Ø 0,6</u>
<u>dimension 3</u>	<u>3,00</u>
<u>dimension 4</u>	<u>6,50</u>

As attached

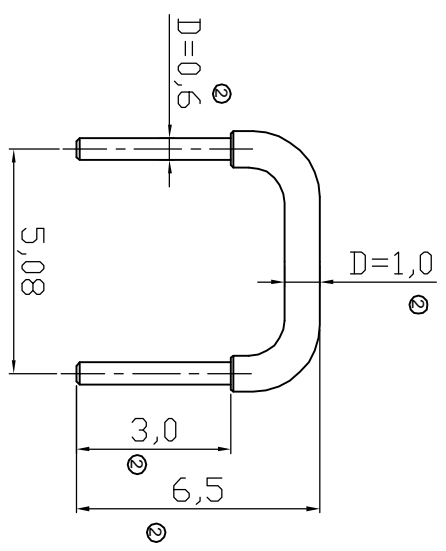
PCN Revision History:

Date of Revision:

Revision Number: 00

1	2	3	4	5	6	7
---	---	---	---	---	---	---

Material:Brass
Plating: Au over Ni



A	<p>Material:Brass Plating: Au over Ni</p>							A																																																																																										
B								B																																																																																										
C								C																																																																																										
D								D																																																																																										
E								E																																																																																										
F								F																																																																																										
G	<p>ROHS compliant</p> <table border="1"> <thead> <tr> <th>Scale</th> <th>1:1</th> <th></th> <th></th> <th></th> <th></th> <th></th> <th></th> <th></th> <th></th> </tr> </thead> <tbody> <tr> <td>TOLERANCE</td> <td></td> <td></td> <td></td> <td></td> <td></td> <td></td> <td></td> <td></td> <td></td> </tr> <tr> <td>X.</td> <td>±X</td> <td></td> <td></td> <td></td> <td></td> <td></td> <td></td> <td></td> <td></td> </tr> <tr> <td>X.X</td> <td>±X</td> <td></td> <td></td> <td></td> <td></td> <td></td> <td></td> <td></td> <td></td> </tr> <tr> <td>X.XX</td> <td>±X</td> <td></td> <td></td> <td></td> <td></td> <td></td> <td></td> <td></td> <td></td> </tr> <tr> <td>DIM</td> <td>TOL</td> <td></td> <td></td> <td></td> <td></td> <td></td> <td></td> <td></td> <td></td> </tr> <tr> <td>X.°</td> <td>±X°</td> <td>②</td> <td>Change of dimension</td> <td>28.10.2014</td> <td>A. Plate</td> <td></td> <td></td> <td></td> <td></td> </tr> <tr> <td>X.X°</td> <td>±X°</td> <td>①</td> <td>Drawn</td> <td>09.09.2009</td> <td>Dean</td> <td>Drawn</td> <td>09.09.2009</td> <td>Dean</td> <td></td> </tr> <tr> <td>Angle</td> <td>TOL</td> <td>Id.</td> <td>Modification</td> <td>Date</td> <td>Name</td> <td>Date</td> <td>Name</td> <td>Customer-No.</td> <td></td> </tr> </tbody> </table>							Scale	1:1									TOLERANCE										X.	±X									X.X	±X									X.XX	±X									DIM	TOL									X.°	±X°	②	Change of dimension	28.10.2014	A. Plate					X.X°	±X°	①	Drawn	09.09.2009	Dean	Drawn	09.09.2009	Dean		Angle	TOL	Id.	Modification	Date	Name	Date	Name	Customer-No.		G
Scale	1:1																																																																																																	
TOLERANCE																																																																																																		
X.	±X																																																																																																	
X.X	±X																																																																																																	
X.XX	±X																																																																																																	
DIM	TOL																																																																																																	
X.°	±X°	②	Change of dimension	28.10.2014	A. Plate																																																																																													
X.X°	±X°	①	Drawn	09.09.2009	Dean	Drawn	09.09.2009	Dean																																																																																										
Angle	TOL	Id.	Modification	Date	Name	Date	Name	Customer-No.																																																																																										
H	1	2	3	4	5	6	7	H																																																																																										



Drawing-No.
ASS 0785 CO
rev02

Customer-No.
ASSMANN WSW-No.
AB 8

Replace
Sheet