

Product Change Notification(PCN)

Issue Date: 14.09.2018
Modification / Revision Date: 14.09.2018

A-Dx09-HOOD-WP Waterproof connector

Change Notification: PCN 2018091404-A-Dx09-HOOD-WP

Description of changes: Change of production plant
1. Change of tolerance
2. Change of dimension
3. Change of insulator material
4. Draw.-No. ASS_6255_COrev01 substitutes ASS_6255_COrev00
5. Draw.-No. ASS_6258_COrev01 substitutes ASS_6258_COrev00

Date of change and Implementation: Change: Week 37 / year 2018
Implementation: 14.09.2018

Key Characteristics of Change: Material & Dimensions, see page 3

Products Affected:
A-DF09-HOOD-WP
A-DS09-HOOD-WP

Reason for Change: Change of production plant

Response : No response to this notification is required.

PCN Revision History:

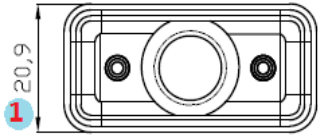
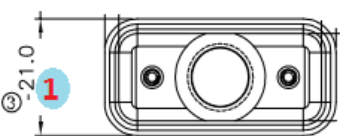
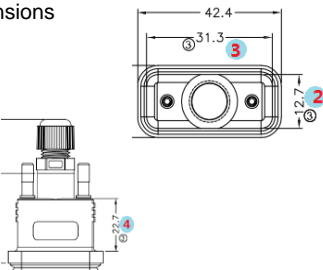


Date of Revision: 14.09.2018

Revision Number: 00

page 1/

Product Change Notification(PCN)

Issue Date: 14.09.2018
 Modification / Revision Date: 14.09.2018

Old version	New version		
<p>1.Dimension : (1)20.9mm</p> 	<p>1. Correct Dimension: (1)21.0mm</p> 		
<p>1.No Dimensions on drawing :</p>	<p>1.Add dimensions (2)12.7mm (3)31.3mm (4)22.7mm</p> 		
<p>connector in Tin plated</p>  <p>Tin plated</p>	<p>connector in full gold plated</p>  <p>Gold plated</p>		
<p>Notes and no Electrical specification</p> <div style="border: 1px solid red; padding: 5px;"> <p>Note:</p> <ul style="list-style-type: none"> * Waterproof Rate: IP67 * Housing:ABS,Black. * Connector:D-SUB 09Pin,Female Pin:Brass,Gold Flash. * Gasket:EPDM,Black. * Screw:Brass,Nickel Plated. * O-Ring:Silicone,Clear. * Seals For Cable OD:φ3.5mm~φ7.0mm * Clamp Ring:Nylon,Black. * Seals:EPDM,Black. * Sealing Nut:Nylon,Black. * One Set Unassembled in One PE Bag. </div>	<p>Notes and no Electrical specification</p> <div style="border: 1px solid red; padding: 5px;"> <p>NOTES:</p> <table border="0"> <tr> <td style="vertical-align: top;"> <ul style="list-style-type: none"> 1. Waterproof rate: IP67 2. Gasket: EPDM Black UL94V-0 3. Housing: ABS Black UL94V-0 4. Screw: Brass 5. O-ring: Silicone Clear UL94V-0 6. Body: Nylon Black UL94V-0 7. Sealing Nut: Nylon Black UL94V-0 8. Connector: D-Sub 09Pin Female, in full gold plated 9. Seals for Cable OD:φ3.5mm~φ7.0mm 10. One Set Unassembled in One Zipper Bag </td> <td style="vertical-align: top; padding-left: 20px;"> <p>⊙ NOTES:</p> <p>Electrical</p> <ul style="list-style-type: none"> 1.Contact resistance: 20mΩ max. 2. Insulation resistance: 500MΩ min. at DC500V 3.Dielectric withstanding voltage: 500V AC 1 minute 4.Rating current: 2A 5.Durability: 500 cycles 6.Temperature range: -20°C ~ +85°C </td> </tr> </table> </div>	<ul style="list-style-type: none"> 1. Waterproof rate: IP67 2. Gasket: EPDM Black UL94V-0 3. Housing: ABS Black UL94V-0 4. Screw: Brass 5. O-ring: Silicone Clear UL94V-0 6. Body: Nylon Black UL94V-0 7. Sealing Nut: Nylon Black UL94V-0 8. Connector: D-Sub 09Pin Female, in full gold plated 9. Seals for Cable OD:φ3.5mm~φ7.0mm 10. One Set Unassembled in One Zipper Bag 	<p>⊙ NOTES:</p> <p>Electrical</p> <ul style="list-style-type: none"> 1.Contact resistance: 20mΩ max. 2. Insulation resistance: 500MΩ min. at DC500V 3.Dielectric withstanding voltage: 500V AC 1 minute 4.Rating current: 2A 5.Durability: 500 cycles 6.Temperature range: -20°C ~ +85°C
<ul style="list-style-type: none"> 1. Waterproof rate: IP67 2. Gasket: EPDM Black UL94V-0 3. Housing: ABS Black UL94V-0 4. Screw: Brass 5. O-ring: Silicone Clear UL94V-0 6. Body: Nylon Black UL94V-0 7. Sealing Nut: Nylon Black UL94V-0 8. Connector: D-Sub 09Pin Female, in full gold plated 9. Seals for Cable OD:φ3.5mm~φ7.0mm 10. One Set Unassembled in One Zipper Bag 	<p>⊙ NOTES:</p> <p>Electrical</p> <ul style="list-style-type: none"> 1.Contact resistance: 20mΩ max. 2. Insulation resistance: 500MΩ min. at DC500V 3.Dielectric withstanding voltage: 500V AC 1 minute 4.Rating current: 2A 5.Durability: 500 cycles 6.Temperature range: -20°C ~ +85°C 		
<p>For detail, please take attached new drawing for reference: ASS_6255_C0rev01 ASS_6258_C0rev01</p>			

1

2

3

4

5

6

7

A

B

C

D

E

F

A

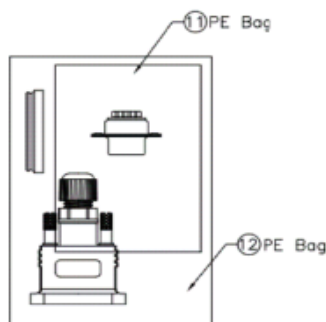
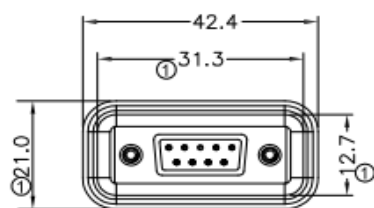
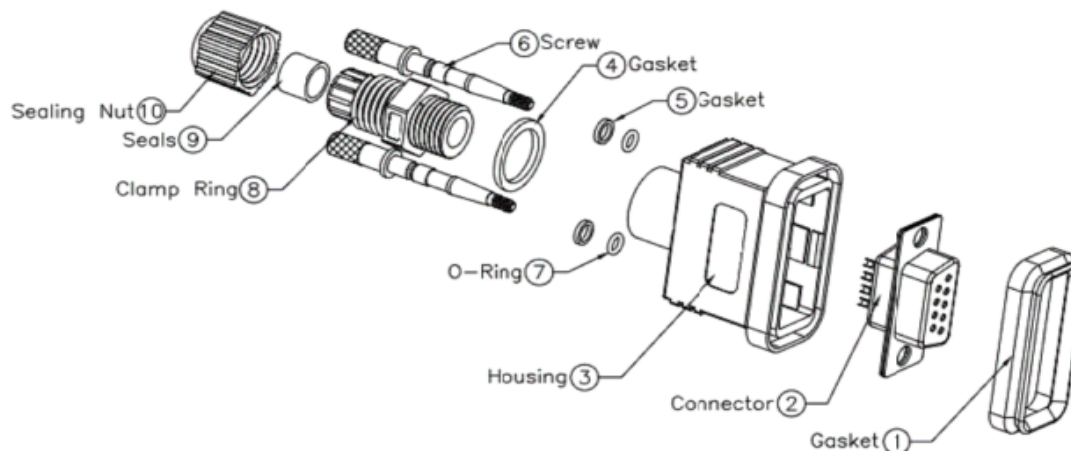
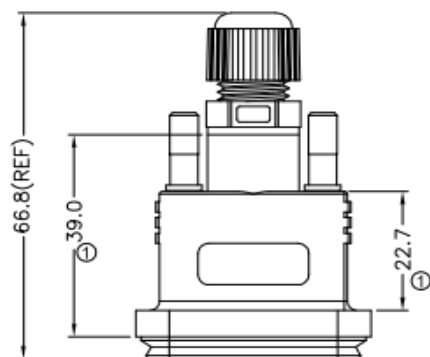
B

C

D

E

F

**NOTES:**

1. Waterproof rate: IP67
2. Gasket: EPDM Black UL94V-0 ①
3. Housing: ABS Black UL94V-0 ①
4. Screw: Brass
5. O-ring: Silicone Clear UL94V-0 ①
6. Body: Nylon Black UL94V-0 ①
7. Sealing Nut: Nylon Black UL94V-0
8. Connector: D-Sub 09Pin Female, in full gold plated ①
9. Seals for Cable OD: $\phi 3.5\text{mm}-\phi 7.0\text{mm}$
10. One Set Unassembled in One Zipper Bag

① NOTES:
Electrical

1. Contact resistance: 20m Ω max.
2. Insulation resistance: 500M Ω min. at DC500V
3. Dielectric withstanding voltage: 500V AC
1 minute
4. Rating current: 2A
5. Durability: 500 cycles
6. Temperature range: -20°C ~ +85°C

RoHS compliant

Unit: mm

Scale	Free				Date	Name	Customer-No.
TOLERANCE					Drawn	22.04.2014	Joanna
					Approved	03.04.2018	Amy
UNIT	± 0.5	ASSMANN WSW-No. A-DF09-HOOD-WP					
DIM	TOL	①	Correct dimensions and add notes	03.04.2018	Amy	Drawing-No.	
		②	Drawn	22.04.2014	Joanna	ASS 6255 CO	rev01
Angle	TOL	Id.	Modification	Date	Name	Replace	Sheet

1

2

3

4

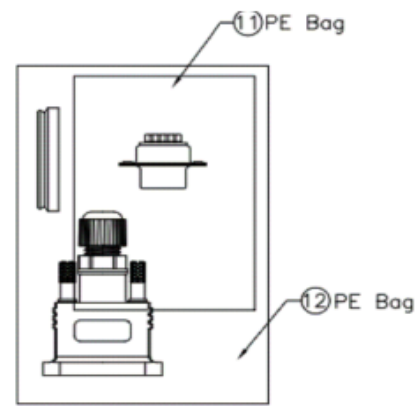
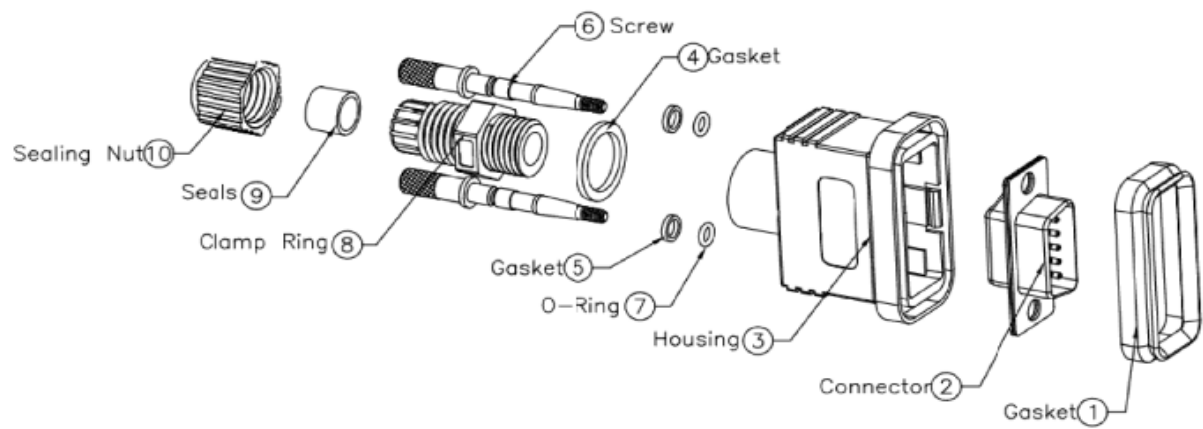
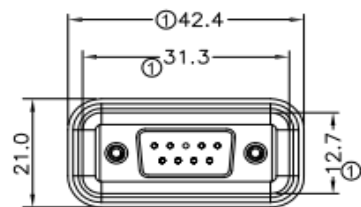
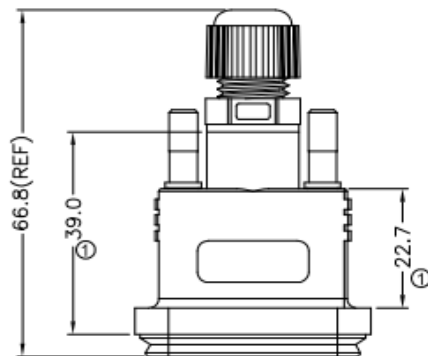
5

6

7

H

H



- NOTES:**
1. Waterproof rate: IP67
 2. Gasket: EPDM Black UL94V-0 ①
 3. Housing: ABS Black UL94V-0 ①
 4. Screw: Brass
 5. O-ring: Silicone Clear UL94V-0 ①
 6. Body: Nylon Black UL94V-0 ①
 7. Sealing Nut: Nylon Black UL94V-0 ①
 8. Connector: D-Sub 09Pin Male, in full gold plated ①
 9. Seals for Cable OD: $\phi 3.5\text{mm}-\phi 7.0\text{mm}$
 10. One Set Unassembled in One Zipper Bag

- ① **Electrical**
1. Contact resistance: 20m Ω max.
 2. Insulation resistance: 500M Ω min. at DC500V
 3. Dielectric withstanding voltage: 500V AC 1 minute
 4. Rating current: 2A
 5. Durability: 500 cycles
 6. Temperature range: -20°C ~ +85°C

RoHS compliant
Unit: mm

Scale	Free					Date	Name	Customer-No.
TOLERANCE						Drawn	22.04.2014	Joanna
						Approved	03.04.2018	Amy
UNIT	± 0.5							ASSMANN WSW-No. A-DS09-HOOD-WP
DIM	TOL	①	Correct dimensions and add notes	03.04.2018	Segal	ASSMANN WSW components		Drawing-No. ASS 6258 CO
		②	Drawn	22.04.2014	Joanna			rev01
Angle	TOL	Id.	Modification	Date	Name	Replace	Sheet	