

Product Change Notification(PCN)

Issue Date: 14.09.2018
Modification / Revision Date: 14.09.2018

A-Dx15-HOOD-WP Waterproof connector

Change Notification: PCN 2018091406-A-Dx15-HOOD-WP

Description of changes: Change of production plant
1. Change of tolerance
2. Change of dimension
3. Change of insulator material
4. Draw.-No. ASS_6256_COrev01 substitutes ASS_6256_COrev00
5. Draw.-No. ASS_6259_COrev01 substitutes ASS_6259_COrev00

Date of change and Implementation: Change: Week 37 / year 2018
Implementation: 14.09.2018

Key Characteristics of Change: Material & Dimensions, see page 3

Products Affected:
A-DF15-HOOD-WP
A-DS15-HOOD-WP

Reason for Change: Change of production plant

Response : No response to this notification is required.

PCN Revision History:

Date of Revision: 14.09.2018

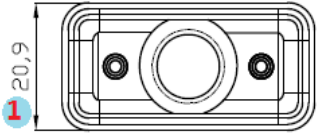
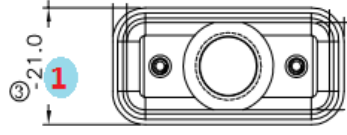
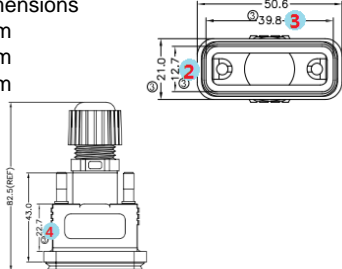


Revision Number: 00

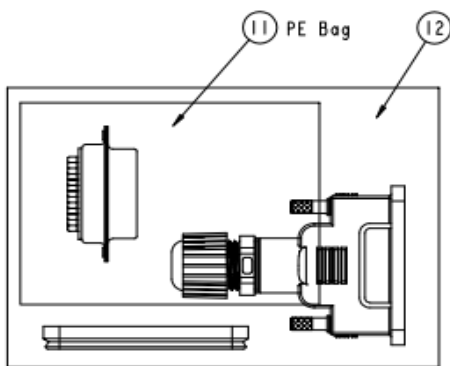
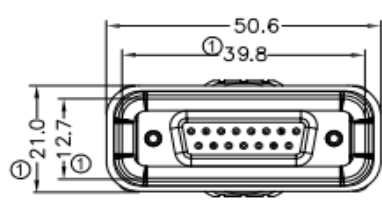
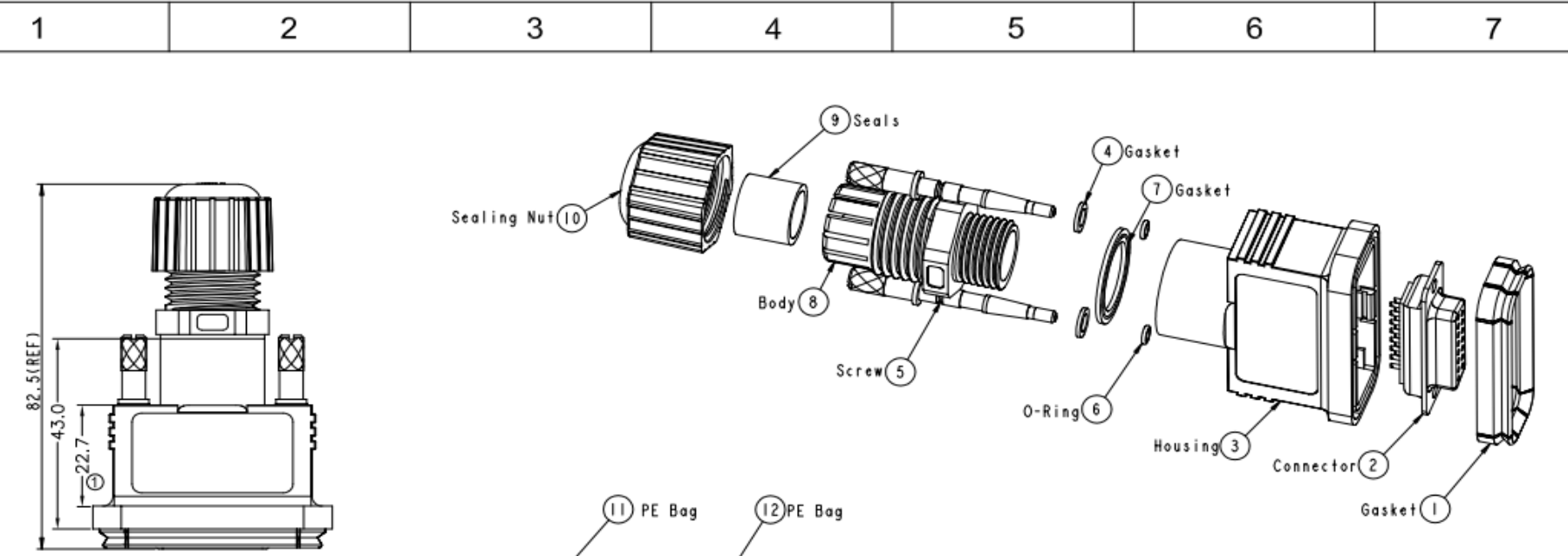
page 1/

Auf dem Schüffel 1
 D-58513 Lüdenschied
 Tel.: +49-2351 - 554-0
 Fax +49 (2351) 554-861
 info@assmann-wsw.com
 www.assmann-wsw.com

Product Change Notification(PCN)

Issue Date: 14.09.2018
 Modification / Revision Date: 14.09.2018

Old version	New version		
1.Dimension : (1)20.9mm 	1.Correct Dimension: (1)21.0mm 		
1.No Dimensions on drawing :	1.Add dimensions (2)12.7mm (3)39.8mm (4)22.7mm 		
connector in Tin plated  <p style="text-align: center; color: red;">Tin plated</p>	connector in full gold plated  <p style="text-align: center; color: red;">Gold plated</p>		
Notes and no Electrical specification <div style="border: 1px solid red; padding: 5px;"> <p>Note:</p> <ul style="list-style-type: none"> * Ⓞ Important Dimension. * Waterproof Rate: IP67 * Connector:D-SUB 15Pin Female. * Sealing Nut:Nylon,Black. * Seals for Cable OD:∅3.5mm~∅7.0mm * One Set Unassembled in One PE Bag </div>	Update Notes and add Electrical specification <div style="border: 1px solid red; padding: 5px;"> <p>NOTES:</p> <table border="0" style="width: 100%;"> <tr> <td style="vertical-align: top;"> <ul style="list-style-type: none"> 1. Waterproof rate: IP67 2. Gasket: EPDM Black UL94V-0 Ⓞ 3. Housing: ABS Black UL94V-0 Ⓞ 4. Screw: Brass 5. O-ring: Silicone Clear UL94V-0 Ⓞ 6. Body: Nylon Black UL94V-0 Ⓞ 7. Sealing Nut: Nylon Black UL94V-0 Ⓞ 8. Connector: D-Sub 15Pin Female, pin in full gold plated Ⓞ 9. Seals for Cable OD:∅6.0mm-∅10.0mm 10. One Set Unassembled in One Zipper Bag </td> <td style="vertical-align: top;"> <ul style="list-style-type: none"> Ⓞ Electrical 1.Contact resistance: 20mΩ max. 2.Insulation resistance: 500MΩ min. at DC500V 3.Dielectric withstanding voltage: 500V AC 1 minute 4.Rating current: 2A 5.Durability: 500 cycles 6.Temperature range: -20°C ~ +85°C </td> </tr> </table> </div>	<ul style="list-style-type: none"> 1. Waterproof rate: IP67 2. Gasket: EPDM Black UL94V-0 Ⓞ 3. Housing: ABS Black UL94V-0 Ⓞ 4. Screw: Brass 5. O-ring: Silicone Clear UL94V-0 Ⓞ 6. Body: Nylon Black UL94V-0 Ⓞ 7. Sealing Nut: Nylon Black UL94V-0 Ⓞ 8. Connector: D-Sub 15Pin Female, pin in full gold plated Ⓞ 9. Seals for Cable OD:∅6.0mm-∅10.0mm 10. One Set Unassembled in One Zipper Bag 	<ul style="list-style-type: none"> Ⓞ Electrical 1.Contact resistance: 20mΩ max. 2.Insulation resistance: 500MΩ min. at DC500V 3.Dielectric withstanding voltage: 500V AC 1 minute 4.Rating current: 2A 5.Durability: 500 cycles 6.Temperature range: -20°C ~ +85°C
<ul style="list-style-type: none"> 1. Waterproof rate: IP67 2. Gasket: EPDM Black UL94V-0 Ⓞ 3. Housing: ABS Black UL94V-0 Ⓞ 4. Screw: Brass 5. O-ring: Silicone Clear UL94V-0 Ⓞ 6. Body: Nylon Black UL94V-0 Ⓞ 7. Sealing Nut: Nylon Black UL94V-0 Ⓞ 8. Connector: D-Sub 15Pin Female, pin in full gold plated Ⓞ 9. Seals for Cable OD:∅6.0mm-∅10.0mm 10. One Set Unassembled in One Zipper Bag 	<ul style="list-style-type: none"> Ⓞ Electrical 1.Contact resistance: 20mΩ max. 2.Insulation resistance: 500MΩ min. at DC500V 3.Dielectric withstanding voltage: 500V AC 1 minute 4.Rating current: 2A 5.Durability: 500 cycles 6.Temperature range: -20°C ~ +85°C 		
For detail, please take attached new drawing for reference: ASS_6256_C0rev01 ASS_6259_C0rev01			



- NOTES:**
1. Waterproof rate: IP67
 2. Gasket: EPDM Black UL94V-0 ①
 3. Housing: ABS Black UL94V-0 ①
 4. Screw: Brass
 5. O-ring: Silicone Clear UL94V-0 ①
 6. Body: Nylon Black UL94V-0 ①
 7. Sealing Nut: Nylon Black UL94V-0 ①
 8. Connector: D-Sub 15Pin Female, pin in full gold plated ①
 9. Seals for Cable OD: $\phi 6.0\text{mm} - \phi 10.0\text{mm}$
 10. One Set Unassembled in One Zipper Bag
- ① **Electrical**
1. Contact resistance: 20m Ω max.
 2. Insulation resistance: 500M Ω min. at DC500V
 3. Dielectric withstanding voltage: 500V AC 1 minute
 4. Rating current: 2A
 5. Durability: 500 cycles
 6. Temperature range: -20°C ~ +85°C

RoHS compliant
Unit: mm

Scale	Free					Date	Name	Customer-No.
TOLERANCE						Drawn	22.04.2014	Joanna
						Approved	03.04.2018	Amy
UNIT	± 0.5							ASSMANN WSW-No. A-DF15-HOOD-WP
DIM	TOL	①	Correct dimensions and add notes	03.04.2018	Segal	ASSMANN WSW components		Drawing-No. ASS 6256 CO
		②	Drawn	22.04.2014	Joanna			rev01
Angle	TOL	Id.	Modification	Date	Name	Replace	Sheet	

1 2 3 4 5 6 7

1 2 3 4 5 6 7

A

B

C

D

E

F

A

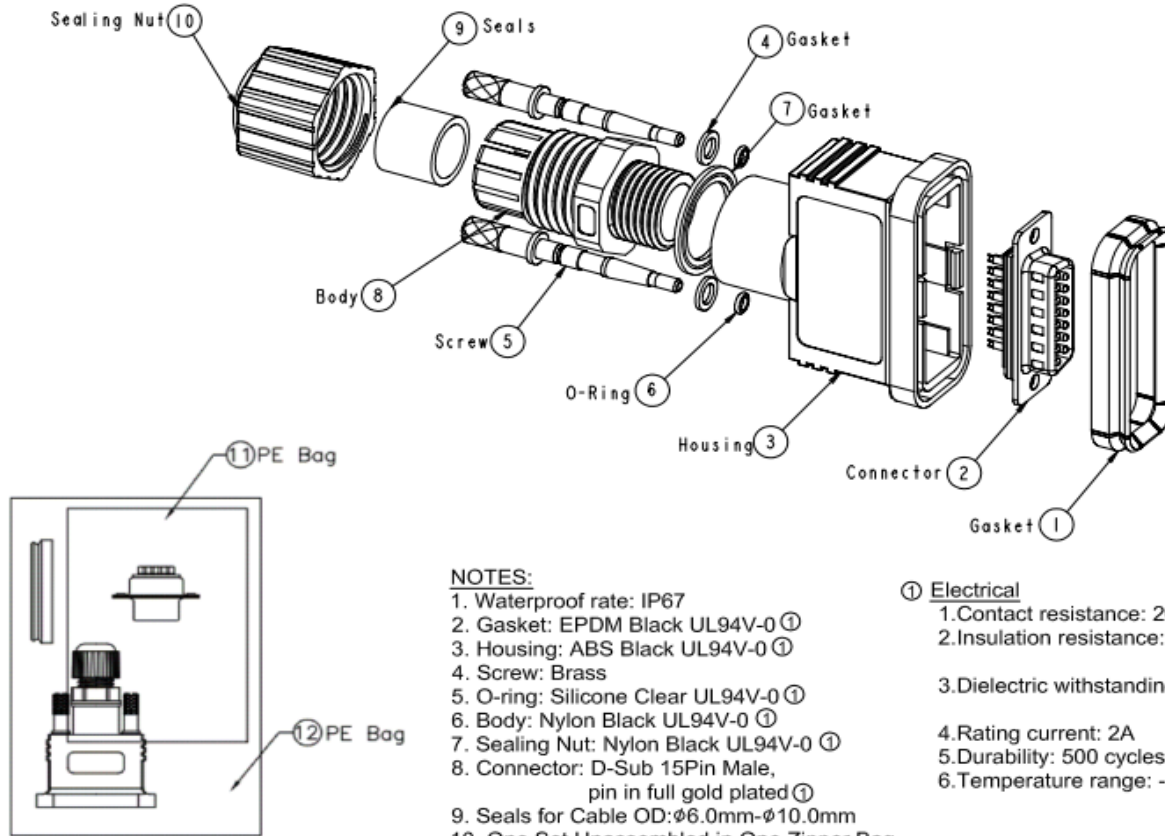
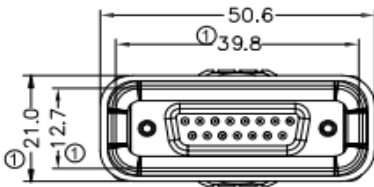
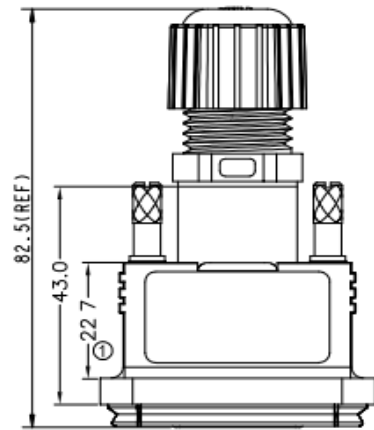
B

C

D

E

F



NOTES:

- 1. Waterproof rate: IP67
- 2. Gasket: EPDM Black UL94V-0 ①
- 3. Housing: ABS Black UL94V-0 ①
- 4. Screw: Brass
- 5. O-ring: Silicone Clear UL94V-0 ①
- 6. Body: Nylon Black UL94V-0 ①
- 7. Sealing Nut: Nylon Black UL94V-0 ①
- 8. Connector: D-Sub 15Pin Male, pin in full gold plated ①
- 9. Seals for Cable OD: $\phi 6.0\text{mm} - \phi 10.0\text{mm}$
- 10. One Set Unassembled in One Zipper Bag

① **Electrical**

- 1. Contact resistance: 20m Ω max.
- 2. Insulation resistance: 500M Ω min. at DC500V
- 3. Dielectric withstanding voltage: 500V AC 1 minute
- 4. Rating current: 2A
- 5. Durability: 500 cycles
- 6. Temperature range: -20°C ~ +85°C

RoHS compliant
Unit: mm

Scale	Free					Date	Name	Customer-No.
TOLERANCE						Drawn	22.04.2014	Joanna
						Approved	03.04.2018	Amy
UNIT	± 0.5							ASSMANN WSW-No. A-DS15-HOOD-WP
DIM	TOL	①	Correct dimensions and add notes	03.04.2018	Segal	ASSMANN WSW components		Drawing-No. ASS 6259 CO rev01
		②	Drawn	22.04.2014	Joanna			Replace
Angle	TOL	Id.	Modification	Date	Name			

1 2 3 4 5 6 7

G

G

H

H