

Product Change Notification(PCN)

Issue Date: 2018/11/16
Modification / Revision Date: 2018/11/16

AB961

Mini Din Adapter

Change Notification: PCN 20181116-AB961

Description of changes:

1. Change of production plant, tooling and dimension
2. Draw.-No. ASS_7873_CArev01 substitutes ASS_7873_CArev00

Date of change and Implementation: Change: Week 46 / 2018
Implementation: 2018/11/16

Key Characteristics of Change: Change of production plant, tooling and dimension, see page 3

Products Affected: AB961

Reason for Change: Change of production plant

Response : No response to this notification is required.

PCN Revision History:

Date of Revision: 2018/11/16

Revision Number: 00

page 1/

Auf dem Schüffel 1
D-58513 Lüdenscheid
Tel.: +49-2351 - 554-0
Fax +49 (2351) 554-861
info@assmann-wsw.com
www.assmann-wsw.com

Product Change Notification(PCN)

Issue Date: 2018/11/16
Modification / Revision Date: 2018/11/16

Reference Documents / Attachments:

Document: Drawing

ASSMANN WSW P/N	Drawing Number
AB961	ASS_7873_CArev01

PCN Revision History:

Date of Revision: 2018/11/16

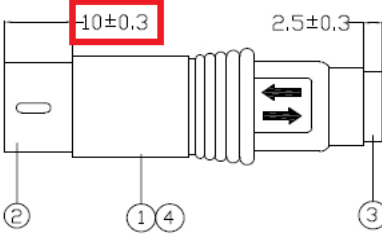
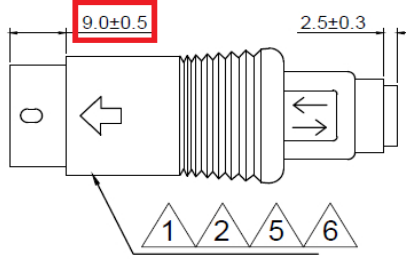
Revision Number: 00

page 2/

Auf dem Schüffel 1
 D-58513 Lüdenscheid
 Tel.: +49-2351 - 554-0
 Fax +49 (2351) 554-861
 info@assmann-wsw.com
 www.assmann-wsw.com

Product Change Notification(PCN)

Issue Date: 2018/11/16
 Modification / Revision Date: 2018/11/16

AB961 Old version	AB961 New version
<p>1. / 2.Dimension 10+/-0.3mm.</p> 	<p>1.Change of production plant 2.Tooling change: dimension 9.0+/-0.5mm.</p> 
<p>For detail, please take attached new drawing: ASS_7873_CArev01 for reference</p>	

PCN Revision History:

Date of Revision: 2018/11/16

Revision Number: 00

page 3/

1

2

3

4

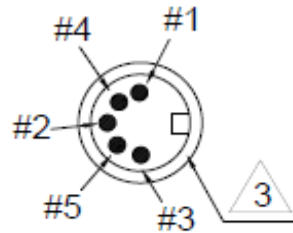
5

6

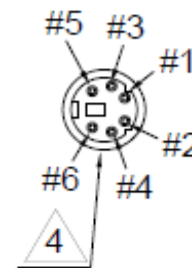
7

A

P1



P2



PIN ASSIGNMENT

P1	P2
1 _____	5 _____
2 _____	1 _____
4 _____	3 _____
5 _____	4 _____
S _____	S _____

Electrical test:

- 100% short,open,miss wire test
- Conduct resistance:3 Ohm(max)
- Insulation resistance:20Mohm(min)
- Dielectric test:DC 300V

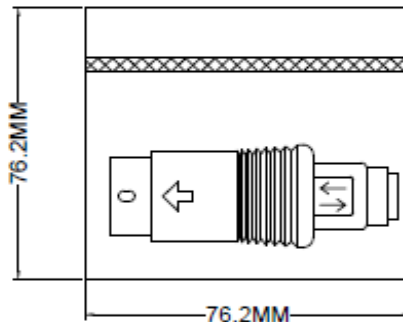
B

C

D

E

F



PE BAG:76.2MM*76.2MM*0.06MM
1PCS/PE BAG

△8	OUT JACKET	PVC-BE02/50	7	G
△5	IN JACKET	PE-5321	2.8	G
△4	CONN	MINI DIN 6P FEMALE SOLDER TYPE	1	PCS
△3	CONN	DIN 5P MALE SODER TYPE	1	PCS
△2	CABLE	JUMP-26-1007	35*1	MM
△1	CABLE	JUMP-26-1007	30*4	MM
NO	NAME	DESCRIPTION	QTY	UNIT

G

RoHS compliant
Unit: mm

Scale	Free					Date	Name	Customer-No.
TOLERANCE						Drawn	20.02.2017	Amy
						Approved	20.02.2017	Amy
DIM	TOL	①	Change of production plant	12.11.2018	Xavier			
		②	Drawn	20.02.2017	Amy			
Angle	TOL	Id.	Modification	Date	Name			

Customer-No.

ASSMANN WSW-No.

AB961

Drawing-No.

ASS 7873 CA

rev01

Replace

Sheet
1/1

H

1

2

3

4

5

6

7