

Product Change Notification(PCN)

Issue Date: 20.12.2018
Modification / Revision Date: 20.12.2018

Mini Din Connector Solder Type

Change Notification: PCN 20181130-ADDIOMxx

Description of changes:

1. Change of production plant and dimension
2. Draw.-No. ASS 0272 COrev08 substitutes ASS 0272 COrev07

Date of change and Implementation: Change: Week 51 / 2018
Implementation: 20.12.2018

Key Characteristics of Change: Change of production plant and dimension, see page 3

Products Affected: AD-DIO-M/03
AD-DIO-M/06
AD-DIO-M/08

Reason for Change: Change of production plant

Response : No response to this notification is required.

PCN Revision History:

Date of Revision: 20.12.2018

Revision Number: 00

page 1/

Auf dem Schüffel 1
D-58513 Lüdenscheid
Tel.: +49-2351 - 554-0
Fax +49 (2351) 554-861
info@assmann-wsw.com
www.assmann-wsw.com

Product Change Notification(PCN)

Issue Date: 20.12.2018
Modification / Revision Date: 20.12.2018

Reference Documents / Attachments:

Document: Drawing

ASSMANN WSW P/N	Drawing Number
AD-DIO-M/03	ASS_0272_COrev08
AD-DIO-M/06	
AD-DIO-M/08	

PCN Revision History:

Date of Revision: 20.12.2018

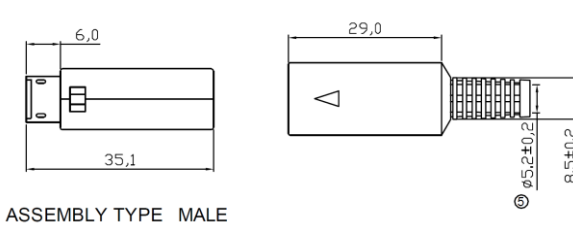
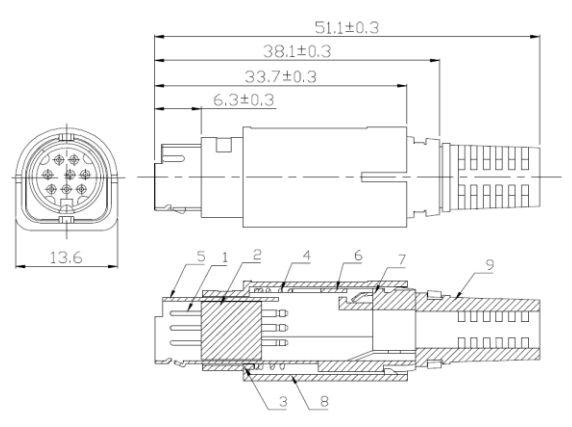
Revision Number: 00

page 2/

Auf dem Schüffel 1
 D-58513 Lüdenscheid
 Tel.: +49-2351 - 554-0
 Fax +49 (2351) 554-861
 info@assmann-wsw.com
 www.assmann-wsw.com

Product Change Notification(PCN)

Issue Date: 20.12.2018
 Modification / Revision Date: 20.12.2018

AD-DIO-M/xx	Old version	AD-DIO-M/xx	New version
<p>1. / 2. Old article design dimension 3. Old dimension as below</p>  <p>ASSEMBLY TYPE MALE</p>	<p>1. Change of production plant 2. New article design 3. New dimension as below</p> 		
<p>For detail, please take attached new drawing: ASS_0272_COrev08 for reference</p>			

PCN Revision History:

Date of Revision: 20.12.2018

Revision Number: 00

1

2

3

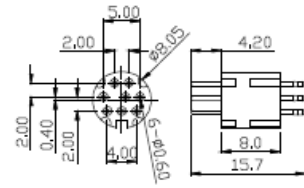
4

5

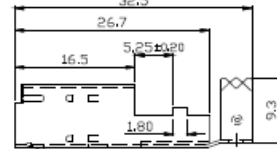
6

7

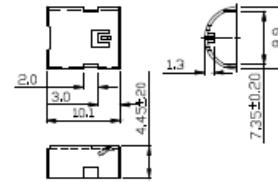
A



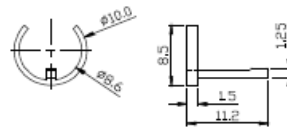
Main body



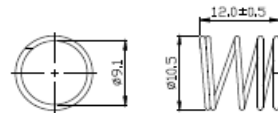
Bottom Shell



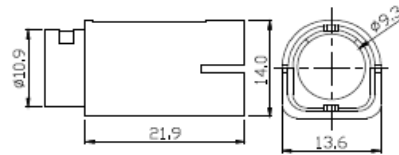
Top Shell



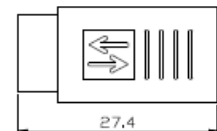
Insulator POM



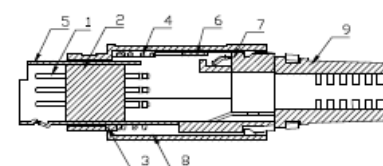
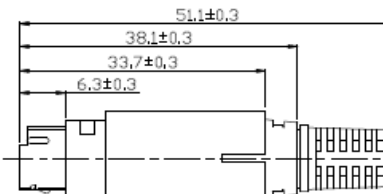
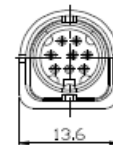
Spring



Over Cover



SR



SPECIFICATION

MATERIAL

See BOM

ELECTRICAL

Power rating: 100V AC max. or 12V DC 2A max.

Contact resistance: 30 milliohm max.

Insulation resistance: 50 megohm min. at 500V DC

Dielectric withstanding voltage: 250V AC at 1 minute

Operating temperature: -55°C to +105°C

MECHANICAL

1. Insertion force: 4.5kgf max.

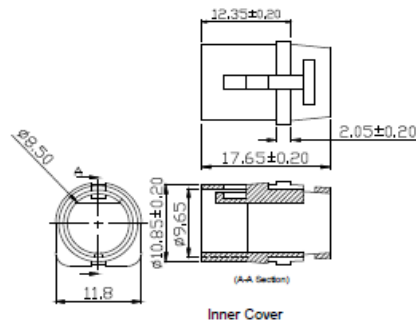
2. retention force: 1.0~4.5kgf

AD-DIO-M/xx

03: 3Pin
06: 6Pin
08: 8Pin

BOM

ITEM	NAME	MATERIAL	PLATING/COLOR
1	PIN	BRASS	GF
2	INSULATOR CORE	PBT+30%GF, UL94V-0	BLACK
3	PCM	PCM M50W	BLACK
4	SPRING	00070	NICKEL PLATED
5	BOTTOM SHELL	BRASS T+0.4mm	NICKEL PLATED
6	TOP SHELL	BRASS T+0.4mm	NICKEL PLATED
7	INNER COVER	PC, UL94V-0	BLACK
8	OVER COVER	ABS, UL94V-0	BLACK
9	SR	PVC, UL94V-0	BLACK



Inner Cover

RoHS compliant
Unit: mm

Scale	Free	⑧	Change of production plant	30.11.2018	Xavier		Date	Name	Customer-No.
TOLERANCE		⑦	Add voltage rating	29.10.2015	Jesse	Drawn	14.05.2003	Hellwig	ASSMANN WSW-No. AD-DIO-M/xx
X.X	±0.5	⑥	add pin number	12.08.2015	Ray	Approved	12.08.2015	Ray	
X.XX	±0.3	⑤	Update the packing on page 2	10.07.2013	Amy				Drawing-No.
X.XXX	±0.2	④	Add spec	11.04.2013	Joanna				ASS 0272 CO
DIM	TOL	③	Add sheet 2	23.12.2011	Lucas				rev08
X.X°	±X°	Id.	Modification	Date	Name			Replace	Sheet 1/1
Angle	TOL								

ASSMANN
WSW components

1

2

3

4

5

6

7

H

H

D

D

C

C

B

B

A

A

E

E

F

F

G

G