



PRODUCT CHANGE NOTIFICATION (PCN)

ISSUE DATE: 13.06.2023
MODIFICATION / REVISION DATE: 13.06.2023

A-USB31C-02M-100 USB Type-C Cable

CHANGE NOTIFICATION:

PCN 20230613_A-USB31C-02M-100

DESCRIPTION OF CHANGES:

CHANGE OF DATA SHEET

New Draw.-No. ASS_10360_CArev02

REASON FOR CHANGE:

CHANGE OF PRODUCT DIMENSIONS, TOLERANCES AND/OR PROPERTIES

KEY CHARACTERISTICS OF CHANGE:

Details see page 3

PRODUCTS AFFECTED:

A-USB31C-02M-100

DATE OF CHANGE AND IMPLEMENTATION:

CHANGE: WEEK 24 / YEAR 2023

IMPLEMENTATION: 06.13.23

RESPONSE:

NO RESPONSE TO THIS NOTIFICATION IS REQUIRED

PCN REVISION HISTORY:

DATE OF REVISION: 13.06.2023

REVISION NUMBER: 00

page 1/



Auf dem Schüffel 1
D-58513 Lüdenscheid
Tel.: +49-2351 - 554-200
Fax +49 (2351) 554-861
info@assmann-wsw.com
www.assmann-wsw.com

PRODUCT CHANGE NOTIFICATION (PCN)

ISSUE DATE: 13.06.2023
MODIFICATION / REVISION DATE: 13.06.2023

REFERENCE DOCUMENTS / ATTACHMENTS:
DOCUMENT: DRAWING

ASSMANN WSW P/N	Drawing Number		ASSMANN WSW P/N	Drawing Number
A-USB31C-02M-100	ASS_10360_CArev01	↔	A-USB31C-02M-100	ASS_10360_CArev02



Auf dem Schüffel 1
 D-58513 Lüdenscheid
 Tel.: +49-2351 - 554-200
 Fax +49 (2351) 554-861
 info@assmann-wsw.com
 www.assmann-wsw.com

PRODUCT CHANGE NOTIFICATION (PCN)

ISSUE DATE: 13.06.2023
 MODIFICATION / REVISION DATE: 13.06.2023

A-USB31C-02M-100 OLD VERSION					A-USB31C-02M-100 NEW VERSION				
Cable:					Cable:				
▲	CABLE	USB3.1 (32#*1P+D+AL+MY)*4C+32#*4C+32#*1P+26#*1C+26#*1C+AB,OD:4.0mm,BK PVC jacket	1	PCS	▲	CABLE ②	UL20276 USB3.1 (32#*1P+D+AL+MY)*4C+32#*4C+32#*1P+24#*1C+AB, OD:4.7mm,BK PVC jacket No marking	1	PCS
NO.	NAME	DESCRIPTION	Q'TY	UNIT	NO.	NAME	DESCRIPTION	Q'TY	UNIT
FOR DETAIL, PLEASE TAKE ATTACHED NEW DRAWING: FOR REFERENCE									

PCN REVISION HISTORY:

DATE OF REVISION: 13.06.2023

REVISION NUMBER: 00

1

2

3

4

5

6

7

A

B

C

D

E

F

A

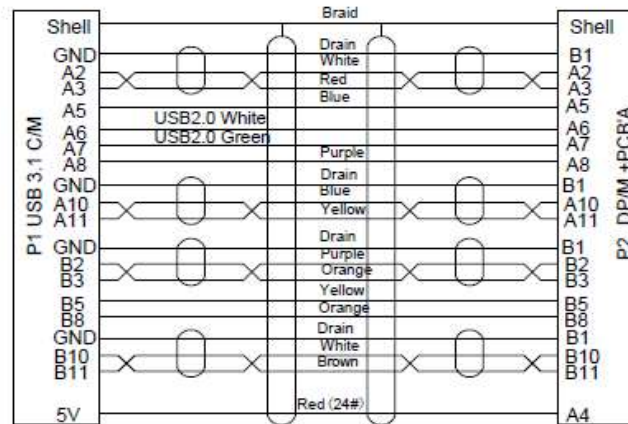
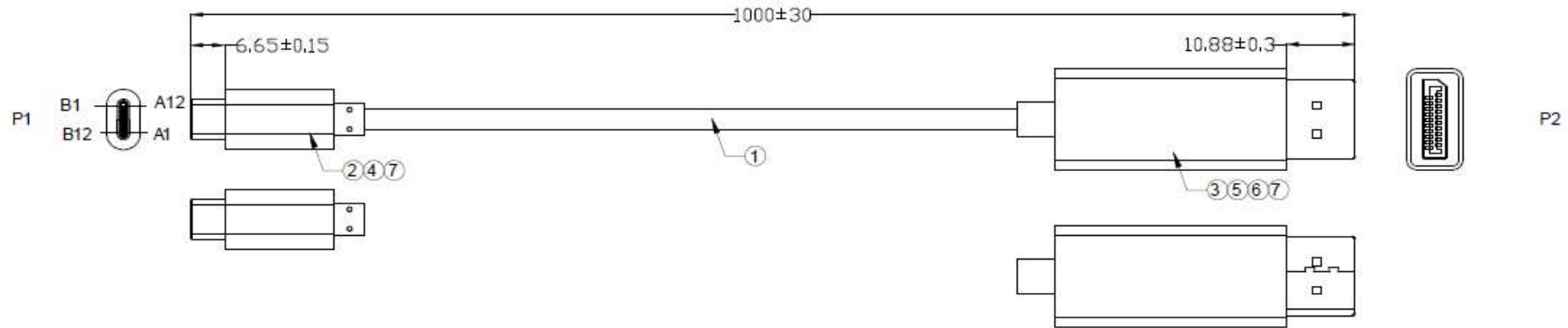
B

C

D

E

F



NOTE:
 1. Solution: up to 3840x2160@60Hz
 2. Deliver audio and video

⑥	Over mold	PVC 45P black	NA	G
⑤	Inner mold	LD-PE	NA	G
⑤	Shell	DP male shell, black ABS	1	PCS
④	Shell	Type-C male shell, black ABS	1	PCS
③	CONN	DP male, in gold flash, shell gold flash, without hook, with PCB	1	PCS
②	CONN	Type-C male, pin gold flash, shell gold flash	1	PCS
①	CABLE ②	UL20275 USB3.1 (32# 1P+D+AL+HM) 4C+32# 4C+32# 1P+24# 1C+AB, OD:4.7mm, BK PVC jacket No marking	1	PCS
NO.	NAME	DESCRIPTION	QTY	UNIT

G

H

G

H

RoHS compliant
Unit: mm

Scale Free

TOLERANCE

DIM TOL

Angle TOL

Id.	Modification	Date	Name
②	Update cable specification	12.06.2023	Luca
①	Update PN	24.04.2023	Daniel
①	Drawn	13.12.2022	Daniel

ASSMANN
WSW components

Date Name

Drawn 13.12.2022 Daniel

Approved 12.06.2023 Luca

Customer-No.

ASSMANN WSW-No.
A-USB31C-02M-100

Drawing-No.

ASS 10360 CA rev02

Replace Sheet 1/1

1

2

3

4

5

6

7

CAB1076