



Auf dem Schüffel 1
D-58513 Lüdenscheid
Tel.: +49-2351 - 5542-00
Fax +49 (2351) 554-861
info@assmann-wsw.com
www.assmann-wsw.com

PRODUCT CHANGE NOTIFICATION (PCN)

ISSUE DATE: 03.08.2023
MODIFICATION / REVISION DATE: 03.08.2023

A-USB32C-04F-150 USB Type-C plug to HDMI receptacle Cable

CHANGE NOTIFICATION: PCN 20230803_A-USB32C-04F-150

DESCRIPTION OF CHANGES: CHANGE OF DATA SHEET
CHANGE OF DATA SHEET
New Draw.-No. ASS_10357_CArev03

REASON FOR CHANGE: CHANGE OF PRODUCT DIMENSIONS, TOLERANCES AND/OR PROPERTIES
CHANGE OF PRODUCT DIMENSIONS, TOLERANCES AND/OR PROPERTIES

KEY CHARACTERISTICS OF CHANGE: Details see page 3

PRODUCTS AFFECTED: A-USB32C-04F-150

DATE OF CHANGE AND IMPLEMENTATION: CHANGE: WEEK 31 / YEAR 2023
IMPLEMENTATION: 08.03.23

RESPONSE: NO RESPONSE TO THIS NOTIFICATION IS REQUIRED

PCN REVISION HISTORY:

DATE OF REVISION: 03.08.2023

REVISION NUMBER: 00

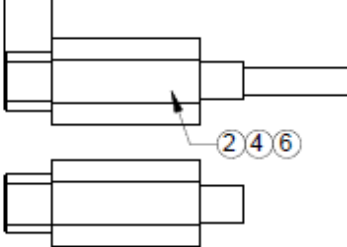
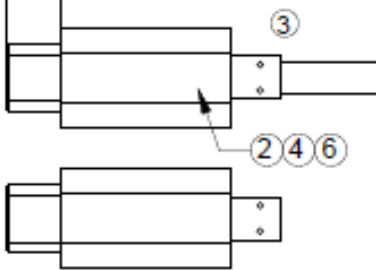
page 1/



Auf dem Schüffel 1
D-58513 Lödenscheid
Tel.: +49-2351 - 554-200
Fax +49 (2351) 554-861
info@assmann-wsw.com
www.assmann-wsw.com

PRODUCT CHANGE NOTIFICATION (PCN)

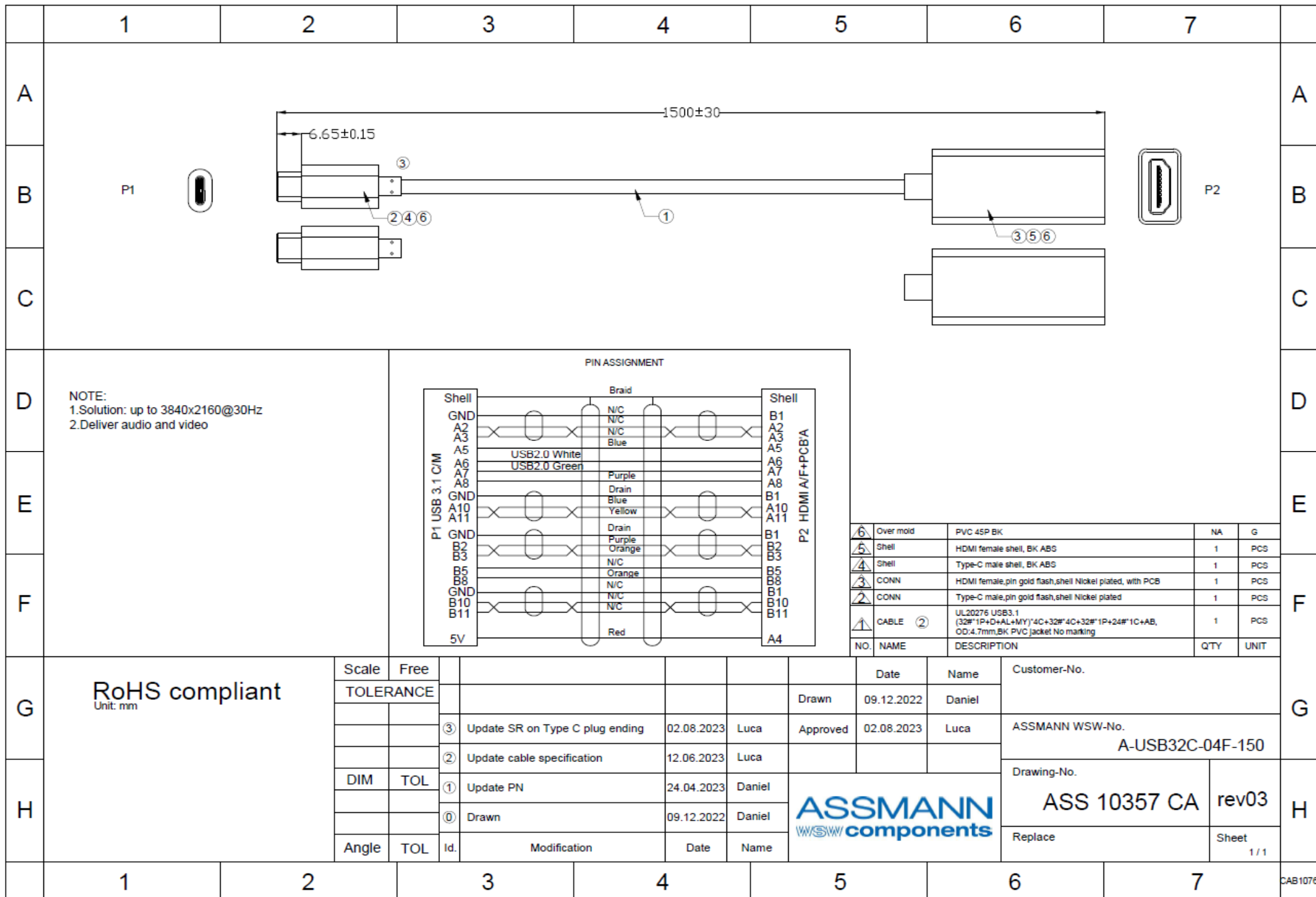
ISSUE DATE: 03.08.2023
MODIFICATION / REVISION DATE: 03.08.2023

A-USB32C-04F-150 OLD VERSION	A-USB32C-04F-150 NEW VERSION
<p>Appearance:</p> 	<p>Appearance:</p> 
<p>FOR DETAIL, PLEASE TAKE ATTACHED NEW DRAWING: FOR REFERENCE</p>	

PCN REVISION HISTORY:

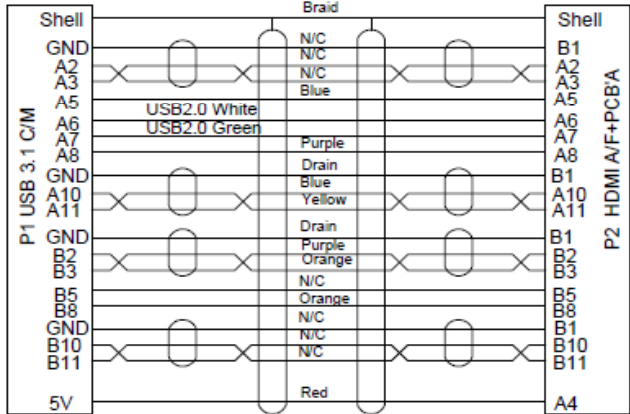
DATE OF REVISION: 03.08.2023

REVISION NUMBER: 00



NOTE:
 1.Solution: up to 3840x2160@30Hz
 2.Deliver audio and video

PIN ASSIGNMENT



NO.	NAME	DESCRIPTION	QTY	UNIT
6	Over mold	PVC 45P BK	NA	G
5	Shell	HDMI female shell, BK ABS	1	PCS
4	Shell	Type-C male shell, BK ABS	1	PCS
3	CONN	HDMI female, pin gold flash, shell Nickel plated, with PCB	1	PCS
2	CONN	Type-C male, pin gold flash, shell Nickel plated	1	PCS
1	CABLE ②	UL20276 USB3.1 (32#*1P+D+AL+MY)*4C+32#*4C+32#*1P+24#*1C+AB, OD:4.7mm,BK PVC Jacket No marking	1	PCS

G	RoHS compliant Unit: mm	Scale	Free					Date	Name	Customer-No.	
		TOLERANCE						Drawn	09.12.2022	Daniel	
H		DIM	TOL	③	Update SR on Type C plug ending	02.08.2023	Luca	Approved	02.08.2023	Luca	ASSMANN WSW-No. A-USB32C-04F-150
				②	Update cable specification	12.06.2023	Luca				
		Angle	TOL	①	Update PN	24.04.2023	Daniel			Drawing-No. ASS 10357 CA rev03	
				④	Drawn	09.12.2022	Daniel			Replace	
		Id.	Modification	Date	Name						