



Auf dem Schüffel 1  
D-58513 Lüdenscheid  
Tel.: +49-2351 - 5542-00  
Fax +49 (2351) 554-861  
info@assmann-wsw.com  
www.assmann-wsw.com

## PRODUCT CHANGE NOTIFICATION (PCN)

ISSUE DATE: 03.08.2023  
MODIFICATION / REVISION DATE: 03.08.2023

### A-USB32C-04F-150 USB Type-C plug to HDMI plug Cable

CHANGE NOTIFICATION: PCN 20230803\_A-USB32C-04M-150

DESCRIPTION OF CHANGES: CHANGE OF DATA SHEET  
CHANGE OF DATA SHEET  
New Draw.-No. ASS\_10517\_CArev02

REASON FOR CHANGE: CHANGE OF PRODUCT DIMENSIONS, TOLERANCES AND/OR PROPERTIES  
CHANGE OF PRODUCT DIMENSIONS, TOLERANCES AND/OR PROPERTIES

KEY CHARACTERISTICS OF CHANGE: Details see page 3

PRODUCTS AFFECTED: A-USB32C-04M-150

DATE OF CHANGE AND IMPLEMENTATION: CHANGE: WEEK 31 / YEAR 2023  
IMPLEMENTATION: 08.03.23

RESPONSE: NO RESPONSE TO THIS NOTIFICATION IS REQUIRED

Auf dem Schöffel 1  
D-58513 Lüdenscheid  
Tel.: +49-2351 - 554-200  
Fax +49 (2351) 554-861  
info@assmann-wsw.com  
www.assmann-wsw.com

### PRODUCT CHANGE NOTIFICATION (PCN)

ISSUE DATE: 03.08.2023  
MODIFICATION / REVISION DATE: 03.08.2023

REFERENCE DOCUMENTS / ATTACHMENTS:  
DOCUMENT: DRAWING

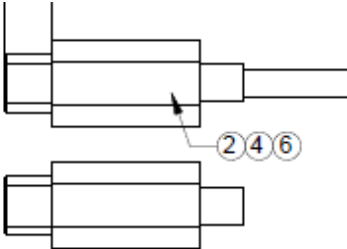
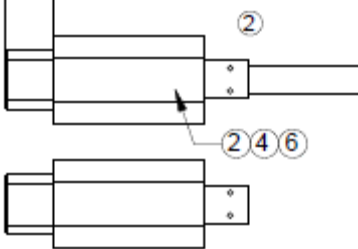
ASSMANN WSW P/N	Drawing Number		ASSMANN WSW P/N	Drawing Number
A-USB32C-04M-150	ASS_10517_CArev01	↔	A-USB32C-04M-150	ASS_10517_CArev02



Auf dem Schüffel 1  
D-58513 Lödenscheid  
Tel.: +49-2351 - 554-200  
Fax +49 (2351) 554-861  
info@assmann-wsw.com  
www.assmann-wsw.com

## PRODUCT CHANGE NOTIFICATION (PCN)

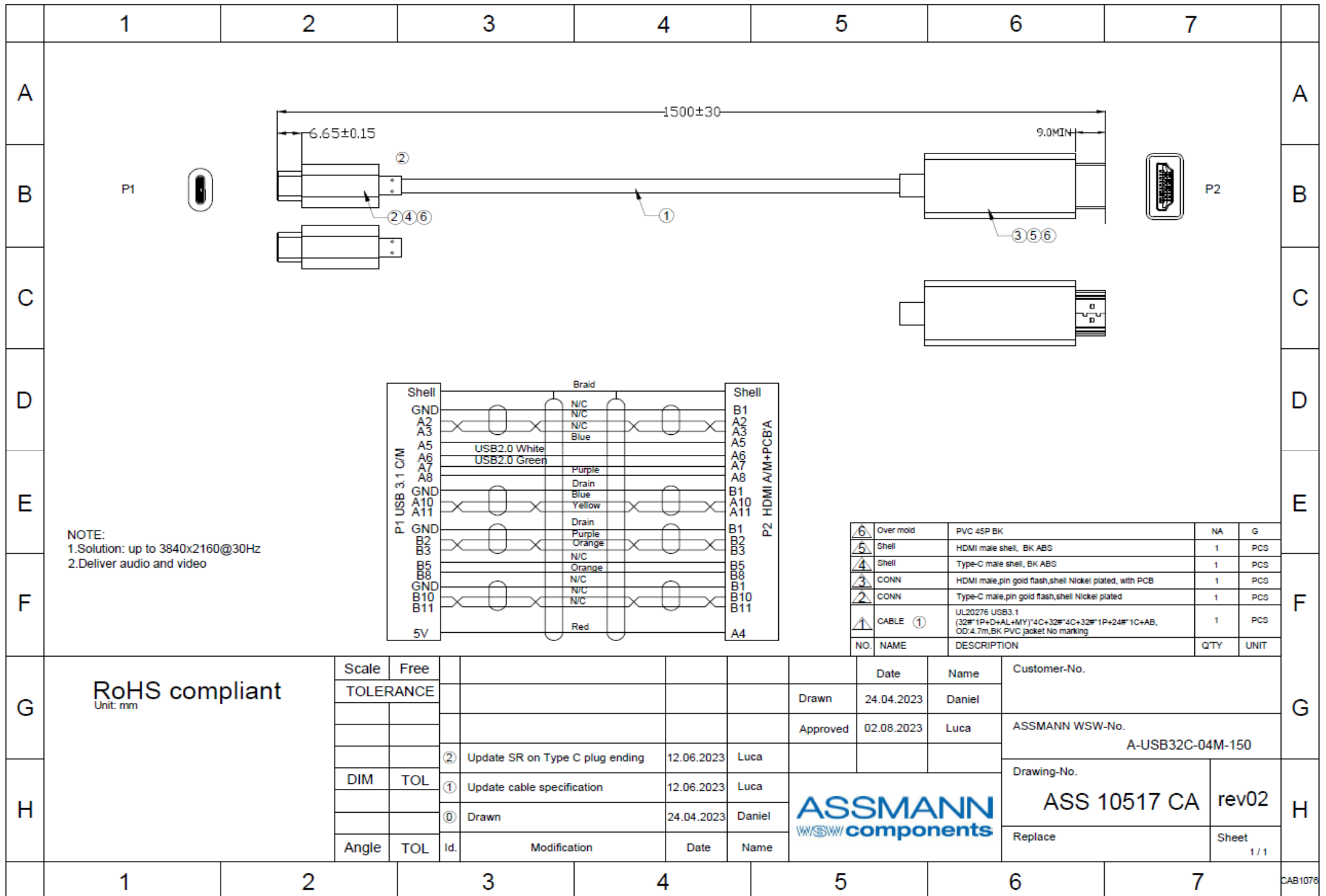
ISSUE DATE: 03.08.2023  
MODIFICATION / REVISION DATE: 03.08.2023

A-USB32C-04F-150 OLD VERSION	A-USB32C-04M-150 NEW VERSION
<p>Appearance:</p> 	<p>Appearance:</p> 
<p>FOR DETAIL, PLEASE TAKE ATTACHED NEW DRAWING: FOR REFERENCE</p>	

**PCN REVISION HISTORY:**

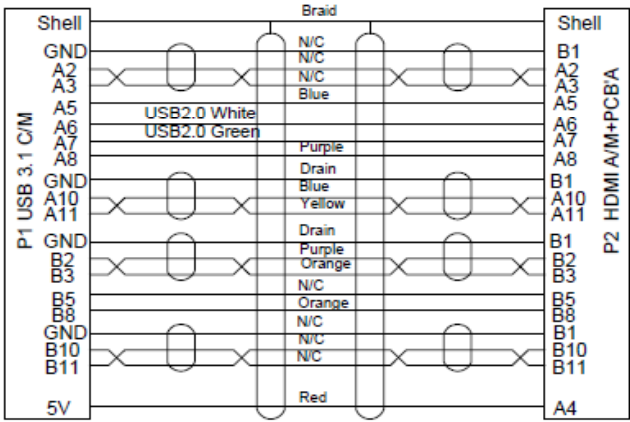
DATE OF REVISION: 03.08.2023

REVISION NUMBER: 00



NOTE:  
 1.Solution: up to 3840x2160@30Hz  
 2.Deliver audio and video

⑥	Over mold	PVC 45P BK	NA	G
⑤	Shell	HDMI male shell, BK ABS	1	PCS
④	Shell	Type-C male shell, BK ABS	1	PCS
③	CONN	HDMI male, pin gold flash, shell Nickel plated, with PCB	1	PCS
②	CONN	Type-C male, pin gold flash, shell Nickel plated	1	PCS
①	CABLE	UL20276 USB3.1 (32#1P+D+AL+MY)1C+32#1C+32#1P+24#1C+AB, OD:4.7m, BK PVC jacket No marking	1	PCS
NO.	NAME	DESCRIPTION	QTY	UNIT



G	RoHS compliant Unit: mm	Scale	Free				Date	Name	Customer-No.
		TOLERANCE					Drawn	24.04.2023	Daniel
H		DIM	TOL	②	Update SR on Type C plug ending	12.06.2023	Luca		ASSMANN WSW-No. A-USB32C-04M-150
				①	Update cable specification	12.06.2023	Luca		Drawing-No. ASS 10517 CA rev02
				①	Drawn	24.04.2023	Daniel		Replace
		Angle	TOL	Id.	Modification	Date	Name		Sheet 1/1

