



Auf dem Schüffel 1
D-58513 Lüdenscheid
Tel.: +49-2351 - 5542-00
Fax +49 (2351) 554-861
info@assmann-wsw.com
www.assmann-wsw.com

PRODUCT CHANGE NOTIFICATION (PCN)

ISSUE DATE: 03.08.2023
MODIFICATION / REVISION DATE: 03.08.2023

A-USB32C2-32C2-xxx-A USB Type-C Cable

CHANGE NOTIFICATION: PCN 20230803_A-USB32C2-32C2-xxx-A

DESCRIPTION OF CHANGES: CHANGE OF DATA SHEET
CHANGE OF DATA SHEET
New Draw.-No. ASS_10363_CArev04

REASON FOR CHANGE: CHANGE OF PRODUCT DIMENSIONS, TOLERANCES AND/OR PROPERTIES
CHANGE OF PRODUCT DIMENSIONS, TOLERANCES AND/OR PROPERTIES

KEY CHARACTERISTICS OF CHANGE: Details see page 3

PRODUCTS AFFECTED: A-USB32C2-32C2-xxx-A

DATE OF CHANGE AND IMPLEMENTATION: CHANGE: WEEK 31 / YEAR 2023
IMPLEMENTATION: 08.03.23

RESPONSE: NO RESPONSE TO THIS NOTIFICATION IS REQUIRED



Auf dem Schüffel 1
D-58513 Lödenscheid
Tel.: +49-2351 - 554-200
Fax +49 (2351) 554-861
info@assmann-wsw.com
www.assmann-wsw.com

PRODUCT CHANGE NOTIFICATION (PCN)

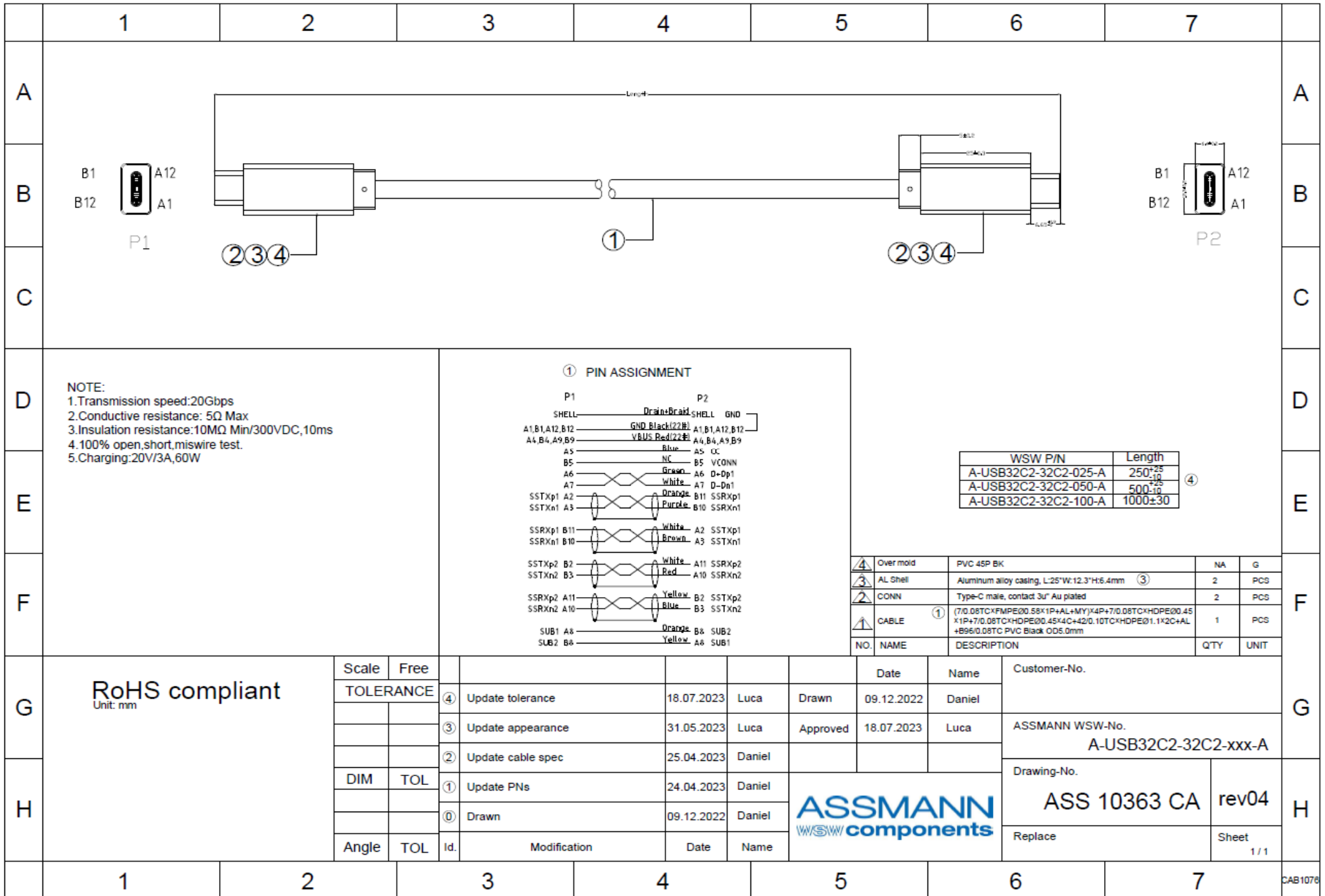
ISSUE DATE: 03.08.2023
MODIFICATION / REVISION DATE: 03.08.2023

A-USB32C2-32C2-xxx-A	OLD VERSION	A-USB32C2-32C2-xxx-A	NEW VERSION																
Tolerance:		Tolerance:																	
<table border="1"> <thead> <tr> <th>WSW P/N</th> <th>Length</th> </tr> </thead> <tbody> <tr> <td>A-USB32C2-32C2-025-A</td> <td>250±15</td> </tr> <tr> <td>A-USB32C2-32C2-050-A</td> <td>500±20</td> </tr> <tr> <td>A-USB32C2-32C2-100-A</td> <td>1000±30</td> </tr> </tbody> </table>		WSW P/N	Length	A-USB32C2-32C2-025-A	250±15	A-USB32C2-32C2-050-A	500±20	A-USB32C2-32C2-100-A	1000±30	<table border="1"> <thead> <tr> <th>WSW P/N</th> <th>Length</th> </tr> </thead> <tbody> <tr> <td>A-USB32C2-32C2-025-A</td> <td>250⁺²⁵₋₁₀</td> </tr> <tr> <td>A-USB32C2-32C2-050-A</td> <td>500⁺²⁵₋₁₀</td> </tr> <tr> <td>A-USB32C2-32C2-100-A</td> <td>1000±30</td> </tr> </tbody> </table>		WSW P/N	Length	A-USB32C2-32C2-025-A	250 ⁺²⁵ ₋₁₀	A-USB32C2-32C2-050-A	500 ⁺²⁵ ₋₁₀	A-USB32C2-32C2-100-A	1000±30
WSW P/N	Length																		
A-USB32C2-32C2-025-A	250±15																		
A-USB32C2-32C2-050-A	500±20																		
A-USB32C2-32C2-100-A	1000±30																		
WSW P/N	Length																		
A-USB32C2-32C2-025-A	250 ⁺²⁵ ₋₁₀																		
A-USB32C2-32C2-050-A	500 ⁺²⁵ ₋₁₀																		
A-USB32C2-32C2-100-A	1000±30																		
FOR DETAIL, PLEASE TAKE ATTACHED NEW DRAWING: FOR REFERENCE																			

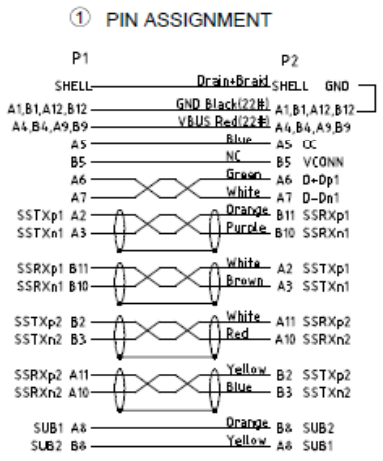
PCN REVISION HISTORY:

DATE OF REVISION: 03.08.2023

REVISION NUMBER: 00



NOTE:
 1. Transmission speed: 20Gbps
 2. Conductive resistance: 5Ω Max
 3. Insulation resistance: 10MΩ Min/300VDC, 10ms
 4. 100% open, short, miswire test.
 5. Charging: 20V/3A, 60W



WSW P/N	Length
A-USB32C2-32C2-025-A	250 ⁺²⁵ ₋₁₀
A-USB32C2-32C2-050-A	500 ⁺¹⁰ ₋₁₀
A-USB32C2-32C2-100-A	1000±30

NO.	NAME	DESCRIPTION	QTY	UNIT
④	Over mold	PVC 45P BK	NA	G
③	AL Shell	Aluminum alloy casing, L:25*W:12.3*H:6.4mm	2	PCS
②	CONN	Type-C male, contact 3u" Au plated	2	PCS
①	CABLE	(7/0.08TC*FMPE00.58*1P+AL+MY)*4P+7/0.08TC*HDPE00.45*1P+7/0.08TC*HDPE00.45*4C+42/0.10TC*HDPE01.1*2C+AL+B96/0.08TC PVC Black OD5.0mm	1	PCS

RoHS compliant
 Unit: mm

Scale	Free	Date	Name	Customer-No.		
TOLERANCE		09.12.2022	Daniel	ASSMANN WSW-No. A-USB32C2-32C2-xxx-A		
		18.07.2023	Luca			
		31.05.2023	Luca	Drawing-No. ASS 10363 CA rev04		
		25.04.2023	Daniel			
DIM	TOL	24.04.2023	Daniel	Replace		
		09.12.2022	Daniel			
Angle	TOL	Id.	Modification	Date	Name	Sheet 1 / 1

