



PRODUCT CHANGE NOTIFICATION (PCN)

ISSUE DATE: 21.12.2023
MODIFICATION / REVISION DATE: 21.12.2023

A-BAT-BH-B0-EA-ZHB1 Battery Connector

CHANGE NOTIFICATION: PCN 20231221_A-BAT-BH-B0-EA-ZHB1

DESCRIPTION OF CHANGES: CHANGE OF DATA SHEET
New Draw.-ASS_9137_COrev02

REASON FOR CHANGE: CHANGE OF PRODUCT DIMENSIONS, TOLERANCES AND/OR PROPERTIES

KEY CHARACTERISTICS OF CHANGE: Details see page 3

PRODUCTS AFFECTED: A-BAT-BH-B0-EA-ZHB1

DATE OF CHANGE AND IMPLEMENTATION: CHANGE: 51/2023
IMPLEMENTATION: 21.12.2023

RESPONSE: NO RESPONSE TO THIS NOTIFICATION IS REQUIRED

PCN REVISION HISTORY:

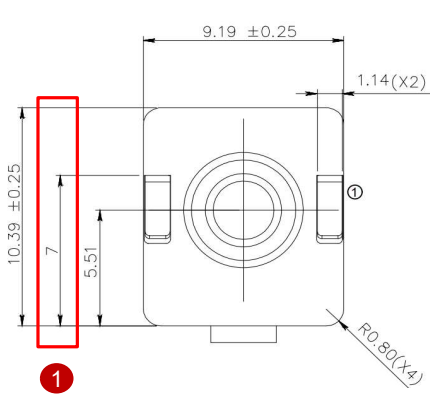
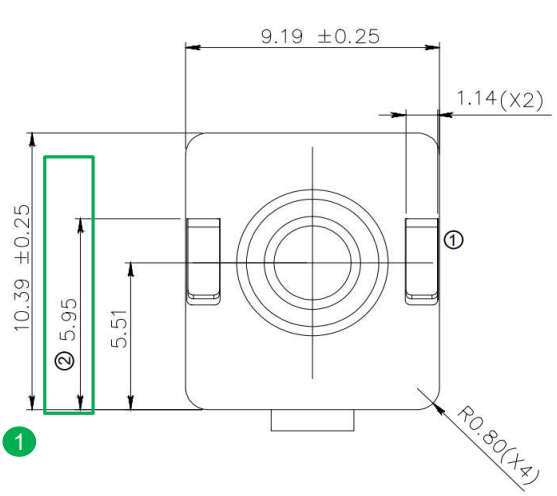
DATE OF REVISION: 21.12.2023

REVISION NUMBER: 00

Auf dem Schöffel 1
D-58513 Lüdenscheid
Tel.: +49-2351 - 554-200
Fax +49 (2351) 554-861
info@assmann-wsw.com
www.assmann-wsw.com

PRODUCT CHANGE NOTIFICATION (PCN)

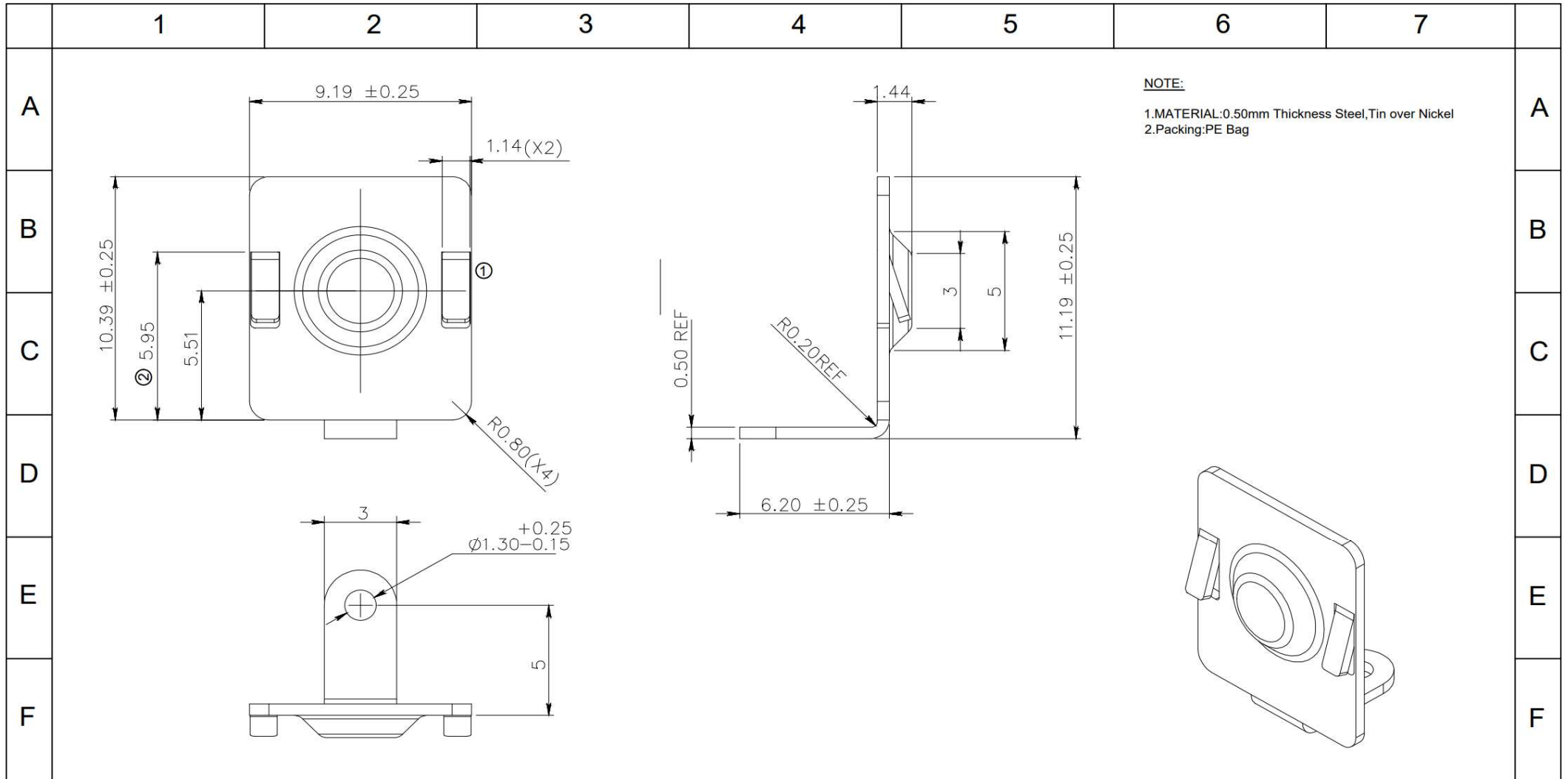
ISSUE DATE: 21.12.2023
MODIFICATION / REVISION DATE: 21.12.2023

| A-BAT-BH-B0-EA-ZHB1 OLD VERSION | A-BAT-BH-B0-EA-ZHB1 NEW VERSION |
|--|--|
| <p>Dimension:</p>  | <p>Dimension</p>  |
| <p>FOR DETAIL, PLEASE TAKE ATTACHED NEW DRAWING: ASS_9137_COrev02 FOR REFERENCE</p> | |

PCN REVISION HISTORY:

DATE OF REVISION: 21.12.2023

REVISION NUMBER: 00



| | | | | | | | | | | | |
|-------|---------------------------|-----------|--------------|------|----------------------------|------------|----------|------------|--|---------------------|--|
| G | RoHS compliant unit:mm | Scale | Free | | | | Date | Name | Description: Battery Contacts Type: AAA / LR03 Positive Pole | | |
| | | TOLERANCE | | | | | Drawn | 12.20.2021 | Peter | ASSMANN WSW-NO. | |
| H | | X. | ±0.35 | | | | Approved | 05.12.2023 | Winnie | A-BAT-BH-B0-EA-ZHB1 | |
| | | .X | ±0.25 | ② | Update the dimension | 05.12.2023 | Winnie | | | Drawing-No. | |
| | | .XX | ±0.20 | ① | Update the shape of tongue | 18.07.2022 | Daniel | | | ASS 9137 CO | |
| | | .XXX | ±0.15 | ① | Drawn | 12.20.2021 | Peter | | | Customer-No. | |
| | | DIM | TOL | ① | | | | | | SHEET 1 / 1 | |
| Angle | TOL | Id. | modification | Date | Name | | | | | | |