



## PRODUCT CHANGE NOTIFICATION (PCN)

ISSUE DATE: 01.12.2025  
MODIFICATION / REVISION DATE: 01.12.2025

AFFC10-xx-100-THB-T

1.0mm pitch, downside contact, FFC connector

CHANGE NOTIFICATION: PCN 20251126\_AFFC10-xx-100-THB-T

DESCRIPTION OF CHANGES: CHANGE OF PRODUCT MATERIALS

ASS\_3617\_COrev04

REASON FOR CHANGE: CHANGE OF MATERIAL PARAMETERS OR PROPERTIES

KEY CHARACTERISTICS OF CHANGE: CHANGE OF MATERIAL

PRODUCTS AFFECTED: AFFC10-xx-100-THB-T

DATE OF CHANGE AND IMPLEMENTATION: CHANGE: 49/2025  
IMPLEMENTATION: 01.12.2025

RESPONSE: NO RESPONSE TO THIS NOTIFICATION IS REQUIRED





Auf dem Schöffel 1  
D-58513 Lüdenscheid  
Tel.: +49-2351 - 554-200  
Fax +49 (2351) 554-861  
info@assmann-wsw.com  
www.assmann-wsw.com

## PRODUCT CHANGE NOTIFICATION (PCN)

ISSUE DATE: 01.12.2025  
MODIFICATION / REVISION DATE: 01.12.2025

AFFC10-xx-100-THB-T	OLD VERSION	AFFC10-xx-100-THB-T	NEW VERSION
1. Material: Nylon 6T		1. Material: High temperature plastic	
<p><u>NOTES:</u></p> <p>① 1.Body :Nylon 6T UL94V-0 Color Nature 2.Slider : Nylon 6T UL 94V-0, Color Brown 3.Contact : Phosphor Bronze 4.Plating : Matte Tin plated over Nickel 5.Contact type: Down side contact 6.Packing: Tube</p>		<p><u>NOTES:</u></p> <p>① 1.Body: High temperature plastic UL 94V-0 Color Nature ④ 2.Slider : High temperature plastic UL 94V-0, Color Black ④ 3.Contact : Phosphor Bronze 4.Plating : Matte Tin plated over Nickel 5.Contact type: Down side contact 6.Packing: Tube</p>	
FOR DETAIL, PLEASE TAKE ATTACHED NEW DRAWING: ASS_3617_COrev04 FOR REFERENCE			

**PCN REVISION HISTORY:**

DATE OF REVISION: 01.12.2025

REVISION NUMBER: 00

page 3/

1

2

3

4

5

6

7

A

A

B

B

C

C

D

D

E

E

F

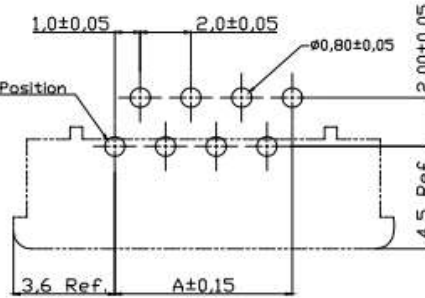
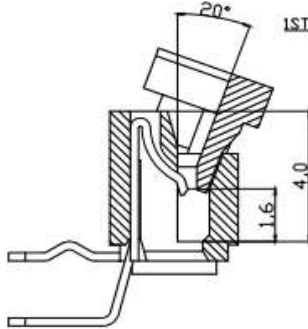
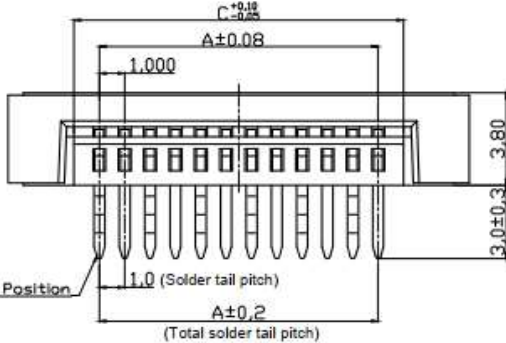
F

G

G

H

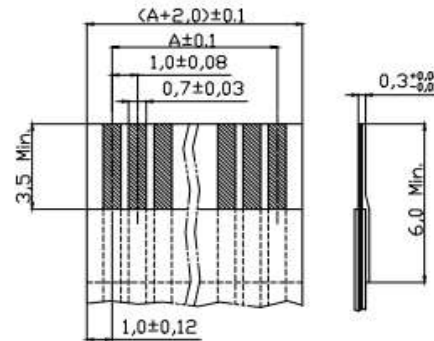
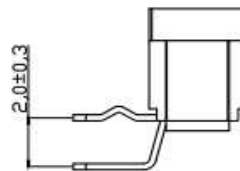
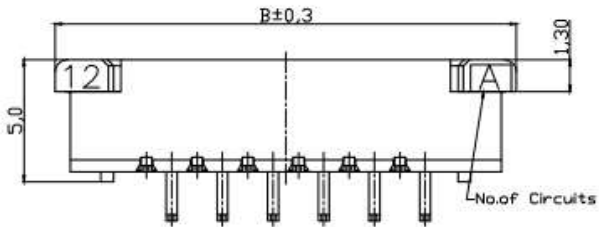
H



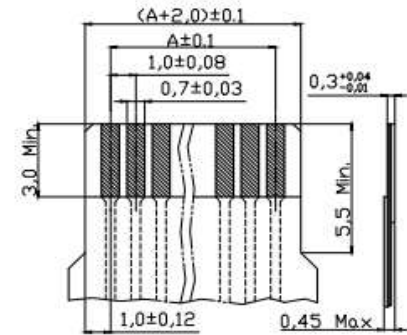
Recommended PCB Layout

NOTES:

- ④ 1.Body : High temperature plastic UL 94V-0 Color Nature
  - ④ 2.Slider : High temperature plastic UL 94V-0, Color Black
  - 3.Contact : Phosphor Bronze
  - 4.Plating : Matte Tin plated over Nickel
  - 5.Contact type: Down side contact
  - 6.Packing: Tube
- A= 1.00x No. of Spaces  
 B= A + 7.2  
 C= A + 2.1
- ③ \*Available in 4 through 32 circuits except the 6 circuits.





Accommodated FFC



Accommodated FPC

RoHS compliant  
Unit: mm

②  File No.: E198287

Scale	Free					Date	Name	Customer-No.
TOLERANCE						Drawn	03.08.2009	Dean
.X	±0.15	④	Update the raw material to Halogen-Free	26.11.2025	Segal	Approved	26.11.2025	Segal
.XX	±0.10	③	Delete the 6 circuits	17.09.2025	Segal			
.XXX	±0.05	②	Add UL No.	13.06.2016	Amy	 A company of 		
DIM	TOL	①	Drawn	03.08.2009	Dean			
X.°	±1°	Id.	Modification	Date	Name			
X.X°	±X°							
Angle	TOL							

ASSMANN WSW-No.  
**AFFC10-xx-100-THB-T**

Drawing-No.  
**ASS 3617 CO** rev04

Replace SHEET

1

2

3

4

5

6

7