

## Product Change Notification(PCN)

Issue Date: 1/6/2020  
Modification / Revision Date: 1/6/2020

### AK243-xx Audio Cables

**Change Notification:** PCN20200106 AK243-xx

**Description of changes:**  
1. Change of P1 strain relief design  
2. Draw.-No. ASS\_7856\_CArev01 substitutes ASS\_7856\_CArev00

**Date of change and Implementation:** Change: Week 02 / year 2020  
Implementation: 1/6/2020

**Key Characteristics of Change:** Change of P1 strain relief design, see page 3

**Products Affected:** AK243-xx

**Reason for Change:** Change of tooling

**Response :** No response to this notification is required.

#### PCN Revision History:

Auf dem Schüffel 1  
D-58513 Lüdenscheid  
Tel.: +49-2351 - 554-0  
Fax +49 (2351) 554-861  
info@assmann-wsw.com  
www.assmann-wsw.com

## Product Change Notification(PCN)

Issue Date: [1/6/2020](#)  
Modification / Revision Date: [1/6/2020](#)

### Reference Documents / Attachments:

Document: Drawing

ASSMANN WSW P/N	Drawing Number
AK243-xx	ASS_7856_CArev01

### PCN Revision History:

Date of Revision: 1/6/2020

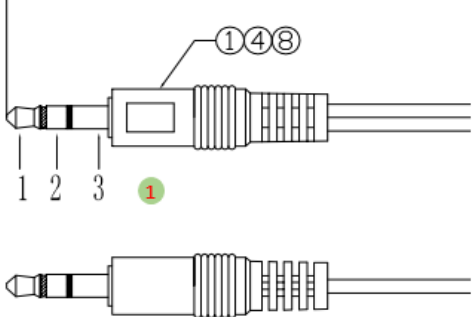

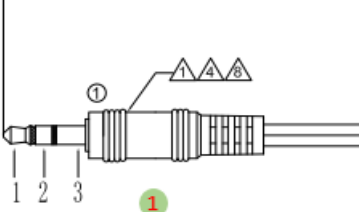

Revision Number: 00

page 2/4

Auf dem Schüffel 1  
 D-58513 Lüdenscheid  
 Tel.: +49-2351 - 554-0  
 Fax +49 (2351) 554-861  
 info@assmann-wsw.com  
 www.assmann-wsw.com

## Product Change Notification(PCN)

Issue Date: 1/6/2020  
 Modification / Revision Date: 1/6/2020

AK243-xx Old version	AK243-xx New version
<p>Update the SR appearance:</p>  	<p>Update the SR appearance:</p>  
<p>For detail, please take attached new drawing for reference: 0</p>	

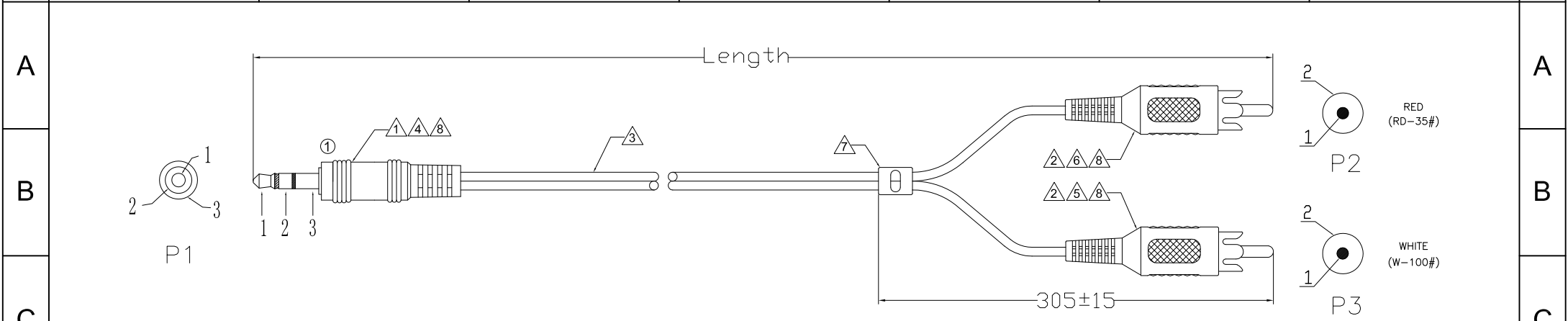
**PCN Revision History:**

Date of Revision: 1/6/2020

Revision Number: 00

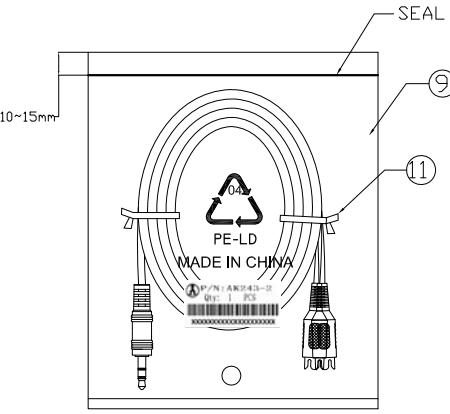
page 3/4

1 2 3 4 5 6 7



WSW P/N	Length	⑨ PE BAG	⑩ PE BAG
AK243-2	2000±30	130*230*0.05mm	280*330*0.05mm
AK243-10	10000±100	210*250*0.05mm	360*380*0.05mm
AK243-015	1500±50	130*230*0.05mm	280*330*0.05mm
AK243-025	2500±50	130*230*0.05mm	280*330*0.05mm
AK243-050	5000±50	150*280*0.05mm	280*330*0.05mm

**Electrical test:**  
 1.100% short,open,miswire test  
 2.Conduct resistance:5 Ohm(max)  
 3.Insulation resistance:5Mohm(min)  
 4.dielectric test:DC 300V



PIN ASSIGNMENT:

P1	P2	P3	COLOR
1	1		RED
2		1	WHITE
3	2		DRAIN(RED)
		2	DRAIN(WHITE)

NO.	NAME	Q'TY	SPECIFICATION
1	TIE	2	BLACK
10	PE BAG	1/10	CLEAR PRINT BLACK"MADE IN CHINA"+"10PCS"
9	PE BAG	1	CLEAR PRINT BLACK"MADE IN CHINA"+"1PC"
8	TUBE	3	HEAT SHRINK TUBE BLACK OD1.5*10mm
7	S/R	1.5g	BLACK PVC 40P (Mould NO.:SR-048)
6	IN JACKET	0.8g	CLEAR LD-PE (Mould NO.:NM-006)
	OUT JACKET	3.3g	PVC-40P RED(RD-35),(Mould NO.WM-009)
5	IN JACKET	0.8g	CLEAR LD-PE (Mould NO.:NM-006)
	OUT JACKET	3.3g	PVC-40P WHITE(W-100)(Mould NO.WM-009)
4	OUT JACKET	3.0g	BLACK PVC-40P (Mould NO.:WM-020)
3	CABLE	1	NOUL [(10/0.10)+S(28/0.10)]*2F JACKET BLACK OD2.8*5.6mm
2	CONN	2	RCA PLUG MALE BLOSSOM TYPE NI-PLATED INSULATOR COLOR:BROWN
1	CONN	1	3.5ST MALE Tray6.0mm L=26mm MOLD TYPE NI-PLATED INSULATOR COLOR:BLACK

**RoHS compliant**  
Unit: mm

Scale	Free					Date	Name	Customer-No.
TOLERANCE						Drawn	20.02.2017	Amy
						Approved	06.01.2020	Segal
DIM	TOL	①	Update the SR	06.01.2020	Segal			
		②	Drawn	20.02.2017	Amy			
Angle	TOL	Id.	Modification	Date	Name	Replace		Sheet

ASSMANN WSW-No.		AK243-xx	
Replace		Sheet	

1 2 3 4 5 6 7