



PRODUCT CHANGE NOTIFICATION (PCN)

ISSUE DATE: 09.05.2023
MODIFICATION / REVISION DATE: 09.05.2023

A-USBC-20F0-EA-GSR03 USB Type-C Connector

CHANGE NOTIFICATION: PCN_20230509_A-USBC-20F0-EA-GSR03

DESCRIPTION OF CHANGES: CHANGE OF PACKAGING
New Draw.-No. ASS_9282_COrev01

REASON FOR CHANGE: CHANGE OF PACKAGING SPECIFICATION

KEY CHARACTERISTICS OF CHANGE: Details see page 3

PRODUCTS AFFECTED: A-USBC-20F0-EA-GSR03

DATE OF CHANGE AND IMPLEMENTATION: CHANGE: WEEK 19 / YEAR 2023
IMPLEMENTATION: 2023-05-09

RESPONSE: NO RESPONSE TO THIS NOTIFICATION IS REQUIRED



Auf dem Schüffel 1
D-58513 Lüdenscheid
Tel.: +49-2351 - 554-200
Fax +49 (2351) 554-861
info@assmann-wsw.com
www.assmann-wsw.com

PRODUCT CHANGE NOTIFICATION (PCN)

ISSUE DATE: 09.05.2023
MODIFICATION / REVISION DATE: 09.05.2023

REFERENCE DOCUMENTS / ATTACHMENTS:
DOCUMENT: DRAWING

ASSMANN WSW P/N	Drawing Number		ASSMANN WSW P/N	Drawing Number
A-USBC-20F0-EA-GSR03	ASS_9282_COrev00	↔	A-USBC-20F0-EA-GSR03	ASS_9282_COrev01



Auf dem Schüffel 1
 D-58513 Lüdenscheid
 Tel.: +49-2351 - 554-200
 Fax +49 (2351) 554-861
 info@assmann-wsw.com
 www.assmann-wsw.com

PRODUCT CHANGE NOTIFICATION (PCN)

ISSUE DATE: 09.05.2023
 MODIFICATION / REVISION DATE: 09.05.2023

A-USBC-20F0-EA-GSR03 OLD VERSION	A-USBC-20F0-EA-GSR03 NEW VERSION
<p>Packaging:</p> <p>NOTES</p> <ol style="list-style-type: none"> NUMBER OF CONNECTORS:1500PCS/REEL LEAD TAPE LENGTH <p>3. QUANTITY: 15000PCS/CARTON</p>	<p>Packaging:</p> <p>NOTES</p> <ol style="list-style-type: none"> NUMBER OF CONNECTORS:1400PCS/REEL ① LEAD TAPE LENGTH <p>3. QUANTITY: 14000PCS/CARTON ①</p>
<p>FOR DETAIL, PLEASE TAKE ATTACHED NEW DRAWING: FOR REFERENCE</p>	

PCN REVISION HISTORY:

DATE OF REVISION: 09.05.2023

REVISION NUMBER: 00

1

2

3

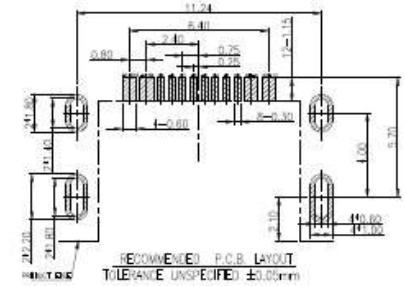
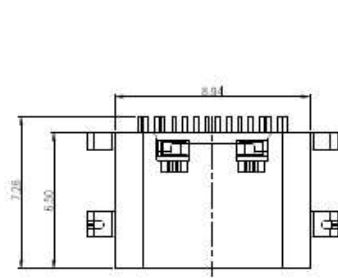
4

5

6

7

A



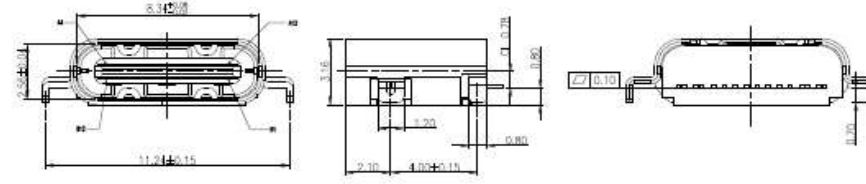
NOTES:

SPECIFICATION.

1. CURRENT RATING: 3.0A MAX
2. WITHSTANDING VOLTAGE: 100 VAC
3. TEMPERATURE RANGE: -30 °C ~ 85 °C
4. CONTACT RESISTANCE: 40 MILLIONHM MAX
5. INSULATION RESISTANCE: 100 MEGOHMS MIN.
6. INSERTION FORCE : 5N~20N
7. UNMATING FORCE: 8N~20N
8. DURABILITY: 10,000 CYCLES
9. SOLDER ABILITY: 260±5°C, 5±0.5S.

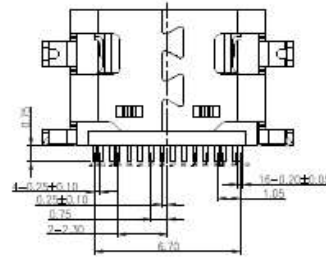
B

C



D

E



F

A1	GND	B12	GND
A1	VBUS	B6	VBUS
A5	CC1	B6	SBU2
A6	DP1	B7	DN2
A7	DN1	B6	DP2
A8	SBU1	B5	CC2
A9	VBUS	B4	VBUS
A12	GND	B1	GND
PIN	SIGNAL NAME	PIN	SIGNAL NAME

NO.	DESCRIPTION	MATERIAL	REMARKS	QTY
5	SHIELD	SUS304	50*14 Fluted	1PCS
1	SHIELDING PLATE	SUS301	NO PLATING	1PCS
3	NO	LCP UL 94V-0	BLACK	1PCS
2	CONTACT	C2680	30V IN UNPLATED OVERALL S/P PLATED ON CONTACT AREA S/P PLATED ON SOLDER AREA	12ET
1	HOUSING	LCP UL94V-0	BLACK	1PCS
NO.	DESCRIPTION	MATERIAL	REMARKS	QTY

G

RoHS compliant
Unit: mm

Scale	Free
TOLERANCE	
X.X	±0.30
X.XX	±0.20
X.XXX	±0.10
DIM TOL	
X°	±2°

Id.	Modification	Date	Name
①	Update packing quantity	03.05.2023	Luca
②	Drawn	08.06.2022	Luca

Date
08.06.2022
Name
Luca
Description: USB Connector
USB2.0 TYPE C / FEMALE / 16PIN
Drawn
03.05.2023
Luca
Approved
ASSMANN
WSW components

Description: USB Connector	
USB2.0 TYPE C / FEMALE / 16PIN	
ASSMANN WSW-No. A-USBC-20F0-EA-GSR03	
Drawing-No.	ASS 9282 CO
Customer-No.	rev01
Sheet	1/2

H

1

2

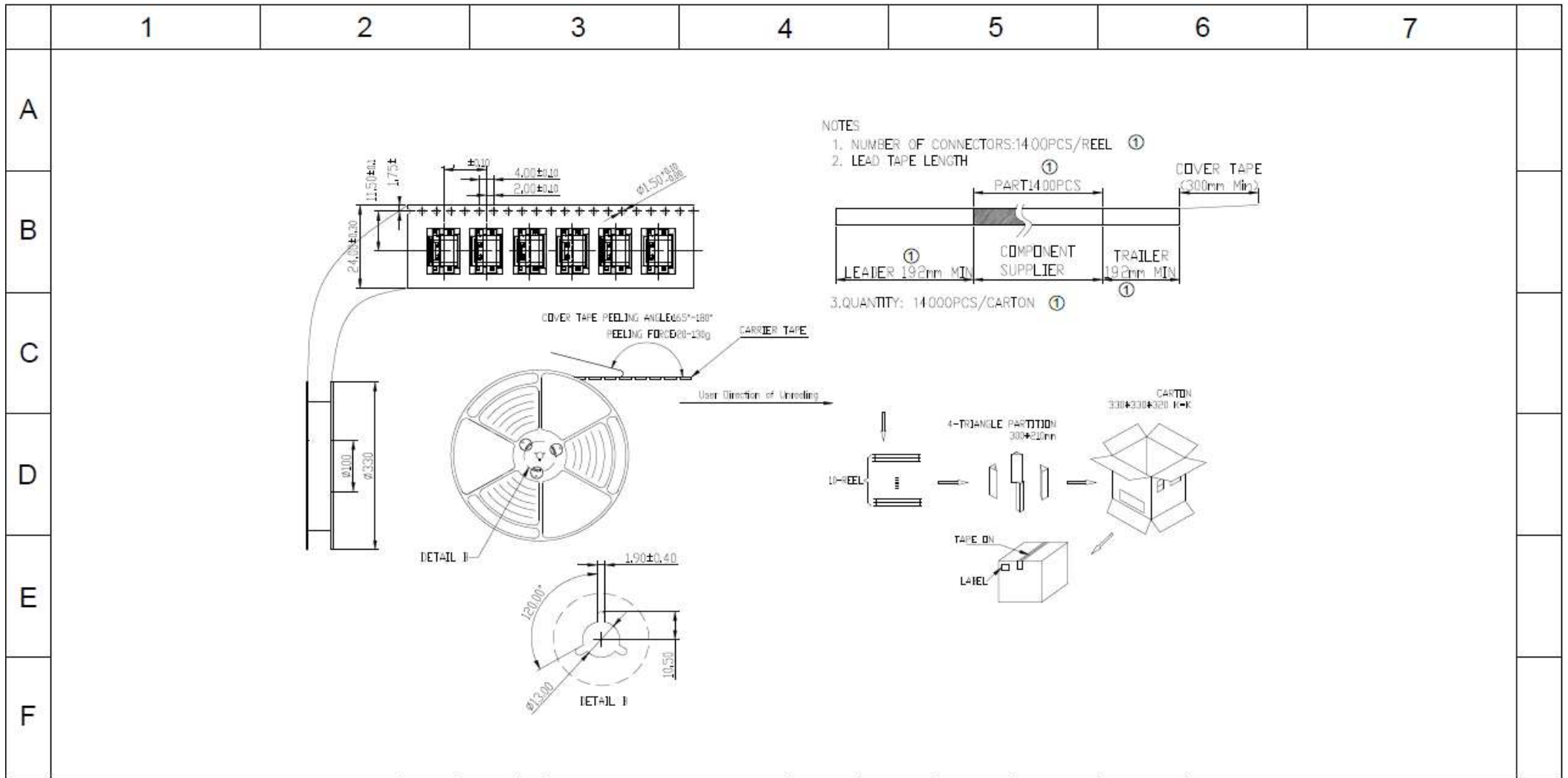
3

4

5

6

7



G	RoHS compliant Unit: mm	Scale	Free				Date	Name	Description: USB Connector	
		TOLERANCE					Drawn	08.06.2022	Luca	USB2.0 TYPE C / FEMALE / 16PIN
		X.X	±0.30				Approved	03.05.2023	Luca	ASSMANN WSW-No.
		X.XX	±0.20							A-USBC-20F0-EA-GSR03
H		X.XXX	±0.10						Drawing-No.	
		DIM	TOL	① Update packing quantity	03.05.2023	Luca	ASSMANN WSW components	ASS 9282 CO	rev01	
		X°	±2°	② Drawn	08.06.2022	Luca		Customer-No.	Sheet 2/2	
				Id.	Modification	Date	Name			