



Auf dem Schüffel 1  
D-58513 Lüdenscheid  
Tel.: +49-2351 - 5542-00  
Fax +49 (2351) 554-861  
info@assmann-wsw.com  
www.assmann-wsw.com

## PRODUCT CHANGE NOTIFICATION (PCN)

ISSUE DATE: 27.06.2023  
MODIFICATION / REVISION DATE: 27.06.2023

### A-DIO-DP/04 MINI DIN CONNECTOR FEMALE 4PIN ANGLE DUAL PORT

CHANGE NOTIFICATION: PCN\_20230627\_ADIODP04

DESCRIPTION OF CHANGES: PRODUCT EOL - OBSOLETE  
New Draw.-No. ASS\_1067\_COrev07

REASON FOR CHANGE: PRODUCT EOL - OBSOLETE

KEY CHARACTERISTICS OF CHANGE: Details see page 2

PRODUCTS AFFECTED: A-DIO-DP/04  
MINI DIN CONNECTOR FEMALE 4PIN ANGLE DUAL PORT

DATE OF CHANGE AND IMPLEMENTATION: CHANGE: WEEK 26 / YEAR 2023  
IMPLEMENTATION: 27.06.2023

RESPONSE: NO RESPONSE TO THIS NOTIFICATION IS REQUIRED

Auf dem Schüffel 1  
D-58513 Lüdenscheid  
Tel.: +49-2351 - 554-200  
Fax +49 (2351) 554-861  
info@assmann-wsw.com  
www.assmann-wsw.com

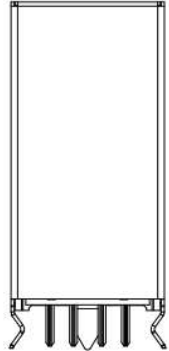
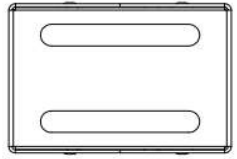
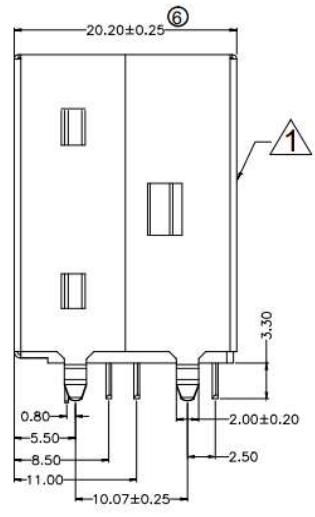
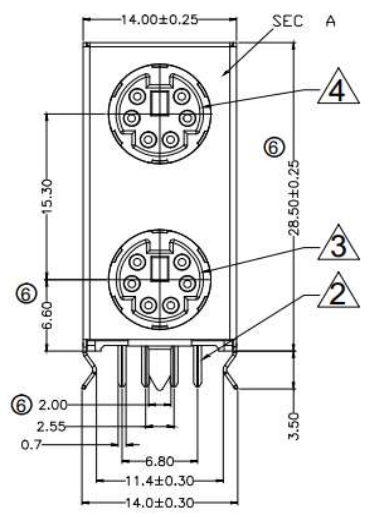
**PRODUCT CHANGE NOTIFICATION (PCN)**

ISSUE DATE: 27.06.2023  
MODIFICATION / REVISION DATE: 27.06.2023

REFERENCE DOCUMENTS / ATTACHMENTS:  
DOCUMENT: DRAWING

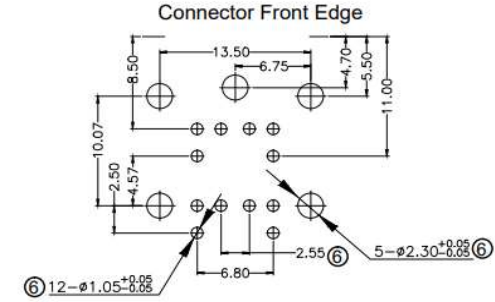
ASSMANN WSW P/N	Drawing Number		ASSMANN WSW P/N	Drawing Number
A-DIO-DP/04	ASS_1067_COrev06	↔	OBSOLETE	OBSOLETE
A-DIO-DP/06	ASS_1067_COrev06		A-DIO-DP/06	ASS_1067_COrev07
A-DIO-DP/06 GV	ASS_1067_COrev06		A-DIO-DP/06 GV	ASS_1067_COrev07

A  
B  
C  
D  
E  
F  
G  
H

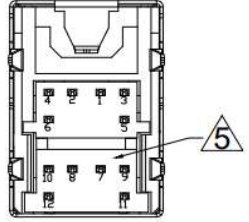


NOTES:  
 1. MECHANICAL:  
 1.1 MATING FORCE: 30N MAX;  
 1.2 UNMATING FORCE: 5N MIN;  
 1.3 DURABILITY: 500 CYCLES MIN.  
 2. ELECTRICAL:  
 2.1 CURRENT RATING: 2.0A;  
 2.2 VOLTAGE RATING: 30V;  
 2.3 WITHSTANDING VOLTAGE: 750V AC;  
 2.4 CONTACT RESISTANCE: 30mΩ MAX;  
 2.5 INSULATION RESISTANCE: 1000MΩ MIN;  
 3. OPERATING TEMPERATURE: -25°C TO + 70°C.

WSW P/N	Connector Color	
A-DIO-DP/06	UP: Black	Bottom: Black
A-DIO-DP/06 GV	UP: Green	Bottom: Purple



Printed Circuit Board (PCB) Layout



Symbol	NAME	MATERIAL	PLATING	COLOR
5	COVER	PBT+30%GF UL94V-0		BLACK
4	MID-UPWARD	PBT+30%GF UL94V-0		BLACK GREEN
3	MID-DOWN	PBT+30%GF UL94V-0		BLACK PURPLE
2	CONTACT	COPPER ALLOY T=0.20	1u" PLATING ON CONTACT AREA. 100u" MIN. Tin PLATING ON SOLDER TAIL AREA. 50u" MIN. NICKEL UNDER PLATING OVERALL.	
1	SHELL	SPCC-SD T=0.30	BRIGHT Tin 100u" Min OVER Ni 50u" Min	

**RoHS compliant**  
Unit: mm

Scale	Free	7	A-DIO-DP/04 is EOL	25.06.2023	Peter	Date	Name
TOLERANCE		6	Update	07.01.2021	Segal	Drawn	25.01.2005 Hellwig
.X	±0.35	5	Update	08.11.2017	Amy	Approved	25.06.2023 Peter
.XX	±0.30	4	Modification	08.11.2012	Amy		
.XXX	±0.15	3	Redraw	07.08.2009	Dean		
.X°	±3.0°	2	Update	28.07.2008	N.Schulz		
.XX°	±2.0°						
.XXX°	±1.0°						
DIM	TOL	Id.	Modification	Date	Name		

Customer-No.	
ASSMANN WSW-No. <b>A-DIO-DP/06 xx</b>	
Drawing-No.	rev07
<b>ASS 1067 CO</b>	
Replace	SHEET