



Auf dem Schüffel 1  
D-58513 Lüdenscheid  
Tel.: +49-2351 - 5542-00  
Fax +49 (2351) 554-861  
info@assmann-wsw.com  
www.assmann-wsw.com

## PRODUCT CHANGE NOTIFICATION (PCN)

ISSUE DATE: 25.01.2024  
MODIFICATION / REVISION DATE: 25.01.2024

### AB 7 JUMPER PIN, PITCH 2.54MM,BRASS Au PLATED

CHANGE NOTIFICATION: [PCN\\_20240125\\_AB7](#)

DESCRIPTION OF CHANGES: [CHANGE OF DATA SHEET](#)  
[New Draw.-No. ASS\\_3693\\_COrev03](#)

REASON FOR CHANGE: [CHANGE OF PRODUCT DIMENSIONS, TOLERANCES AND/OR PROPERTIES](#)

KEY CHARACTERISTICS OF CHANGE: [Details see page 3](#)

PRODUCTS AFFECTED: [AB 7](#)  
[JUMPER PIN, PITCH 2.54MM,BRASS Au PLATED](#)

DATE OF CHANGE AND IMPLEMENTATION: [CHANGE: WEEK 4 / YEAR 2024](#)  
[IMPLEMENTATION: 25.01.2024](#)

RESPONSE: [NO RESPONSE TO THIS NOTIFICATION IS REQUIRED](#)

#### PCN REVISION HISTORY:

DATE OF REVISION: 25.01.2024

REVISION NUMBER: 00

page 1/

Auf dem Schüffel 1  
D-58513 Lüdenscheid  
Tel.: +49-2351 - 554-200  
Fax +49 (2351) 554-861  
info@assmann-wsw.com  
www.assmann-wsw.com

**PRODUCT CHANGE NOTIFICATION (PCN)**

ISSUE DATE: 25.01.2024  
MODIFICATION / REVISION DATE: 25.01.2024

REFERENCE DOCUMENTS / ATTACHMENTS:  
DOCUMENT: DRAWING

ASSMANN WSW P/N	Drawing Number		ASSMANN WSW P/N	Drawing Number
AB 7	ASS_3693_COrev02	↔	AB 7	ASS_3693_COrev03

Auf dem Schüffel 1  
D-58513 Lüdenscheid  
Tel.: +49-2351 - 554-200  
Fax +49 (2351) 554-861  
info@assmann-wsw.com  
www.assmann-wsw.com

## PRODUCT CHANGE NOTIFICATION (PCN)

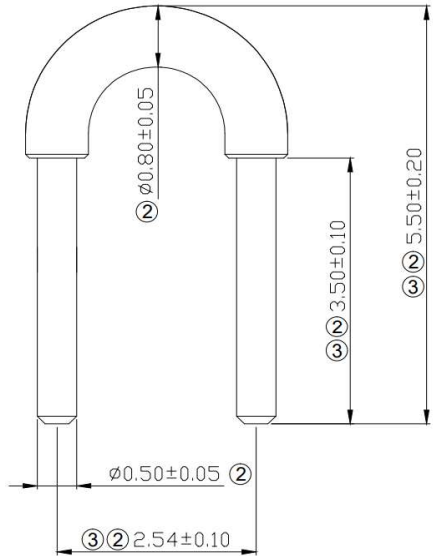
ISSUE DATE: 25.01.2024  
MODIFICATION / REVISION DATE: 25.01.2024

AB 7 OLD VERSION	AB 7 NEW VERSION
<p>TOLERANCE</p>	
<p>FOR DETAIL, PLEASE TAKE ATTACHED NEW DRAWING: FOR REFERENCE</p>	

**PCN REVISION HISTORY:**

DATE OF REVISION: 25.01.2024



REVISION NUMBER: 00



NOTE:

- 1.MATERIAL:Brass
- ② 2.Plating: Au 4u" over Nickel

	1	2	3	4	5	6	7		
A									A
B									B
C									C
D									D
E									E
F									F

G	RoHS compliant unit:mm	Scale	Free					Date	Name	Description: Jumper Pin	G		
		TOLERANCE						Drawn	09.09.2009	Dean			
H		X.	±0.20					Approved	01.25.2024	Peter	ASSMANN WSW-NO.  AB 7	H	
		X.X	±0.15										
		X.XX	±0.10	③	Update the tolerance	01.25.2024	Peter						
		X.XXX	±0.05	②	Change the plant and tolerance	12.11.2023	Peter						
		DIM	TOL	①	Drawn	09.09.2009	Dean	 A company of 		Drawing-No.	ASS 3693 CO		rev03
		X°	±5°							Customer-No.			Sheet
		Angle	TOL	Id.	Modification	Date	Name						

	1	2	3	4	5	6	7	
--	---	---	---	---	---	---	---	--