

## PRODUCT CHANGE NOTIFICATION (PCN)

ISSUE DATE: 08.03.2024  
MODIFICATION / REVISION DATE: 08.03.2024

### A-CPPB-XX-FGMS-GHB04 Circular connector / Push-pull self-locking

CHANGE NOTIFICATION: PCN\_20240308\_ACPPBxxFGMSGHB04

DESCRIPTION OF CHANGES: CHANGE OF DATA SHEET  
CHANGE OF PRODUCT DESIGN  
New Draw.-ASS\_9036\_COrev01

REASON FOR CHANGE: CHANGE OF PRODUCT DIMENSIONS, TOLERANCES AND/OR PROPERTIES

KEY CHARACTERISTICS OF CHANGE: Details see page 3

PRODUCTS AFFECTED: A-CPPB-XX-FGMS-GHB04

DATE OF CHANGE AND IMPLEMENTATION: CHANGE: 10/2024  
IMPLEMENTATION: 08.03.2024

RESPONSE: NO RESPONSE TO THIS NOTIFICATION IS REQUIRED

#### PCN REVISION HISTORY:

DATE OF REVISION: 08.03.2024

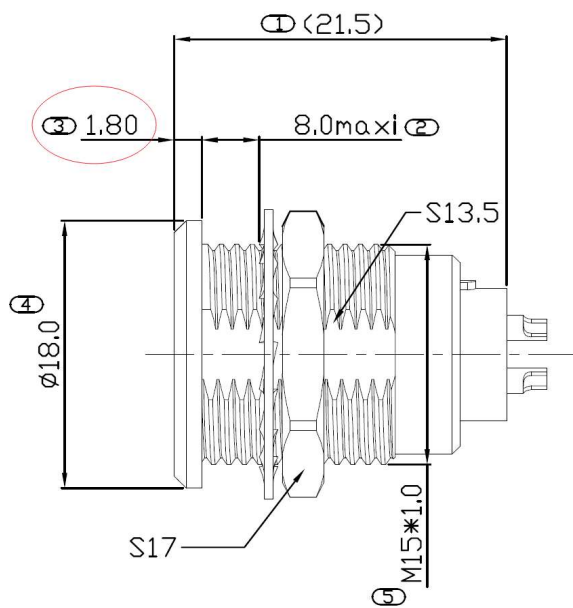
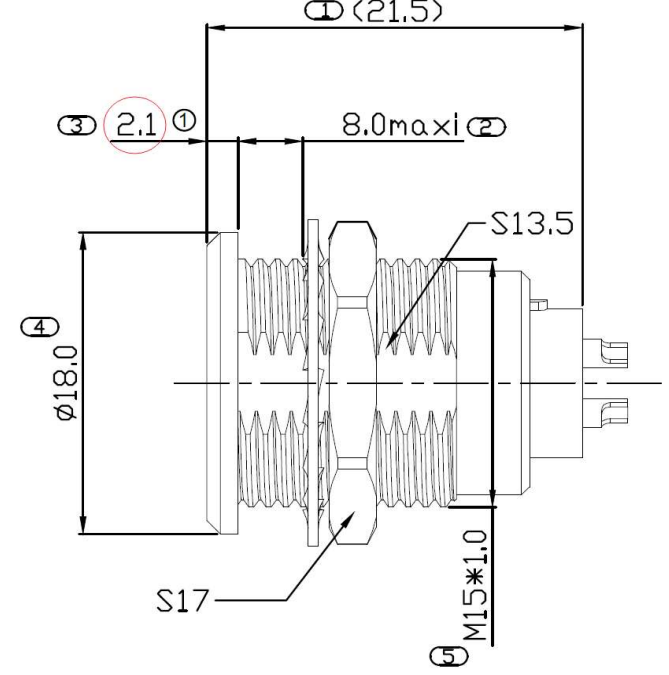
REVISION NUMBER: 00



Auf dem Schöffel 1  
D-58513 Lüdenscheid  
Tel.: +49-2351 - 554-200  
Fax +49 (2351) 554-861  
info@assmann-wsw.com  
www.assmann-wsw.com

## PRODUCT CHANGE NOTIFICATION (PCN)

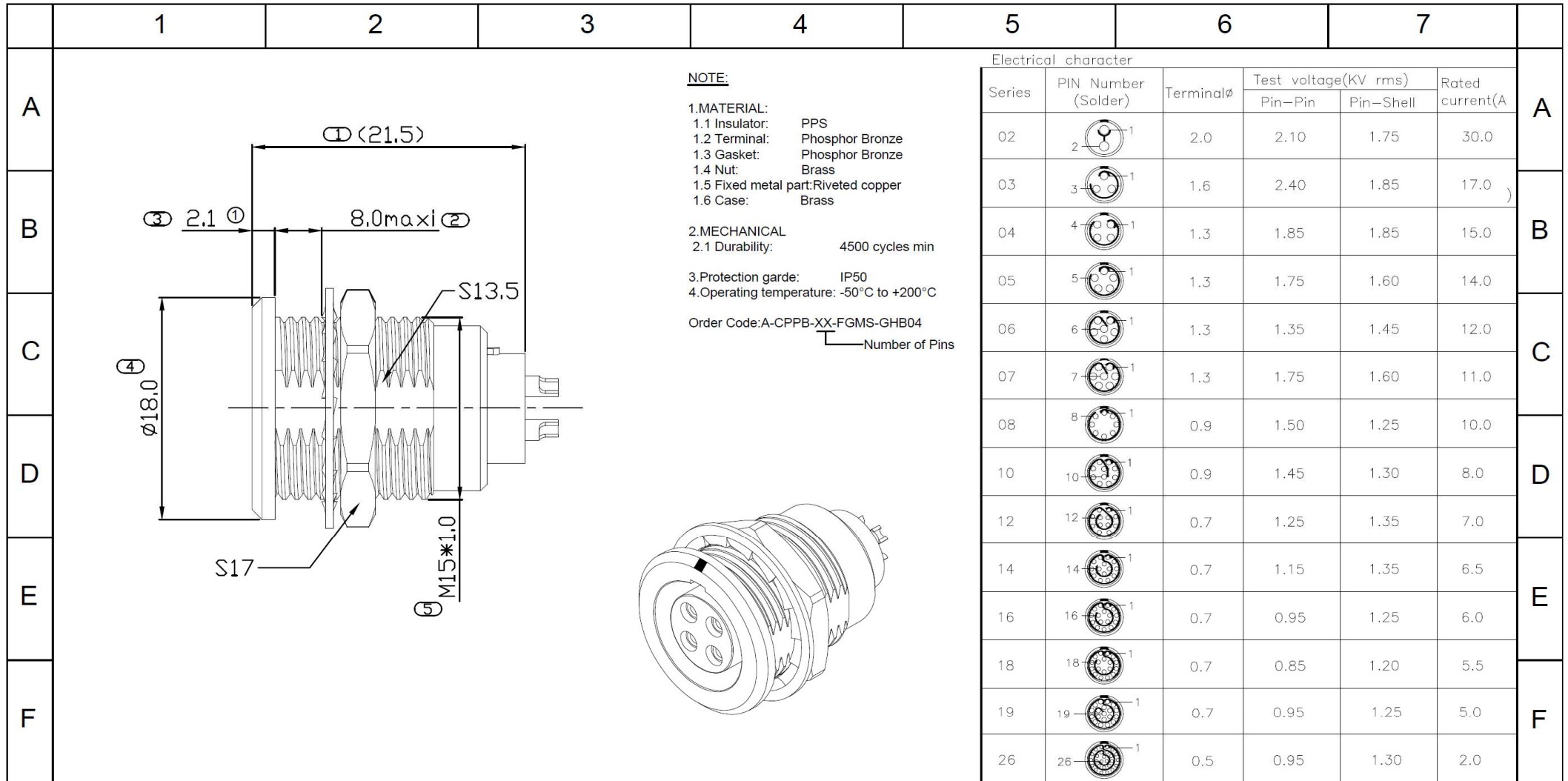
ISSUE DATE: 08.03.2024  
MODIFICATION / REVISION DATE: 08.03.2024

A-CPPB-XX-FGMS-GHB04 OLD VERSION	A-CPPB-XX-FGMS-GHB04 NEW VERSION
<p>1. Dimension 1.80mm.</p> 	<p>1. 1. Dimension 2.1mm.</p> 
<p>FOR DETAIL, PLEASE TAKE ATTACHED NEW DRAWING: ASS_1570_COrev09 FOR REFERENCE</p>	

PCN REVISION HISTORY:  
DATE OF REVISION: 08.03.2024

REVISION NUMBER: 00

page 3/



**NOTE:**

- 1.MATERIAL:  
 1.1 Insulator: PPS  
 1.2 Terminal: Phosphor Bronze  
 1.3 Gasket: Phosphor Bronze  
 1.4 Nut: Brass  
 1.5 Fixed metal part: Riveted copper  
 1.6 Case: Brass

- 2.MECHANICAL  
 2.1 Durability: 4500 cycles min

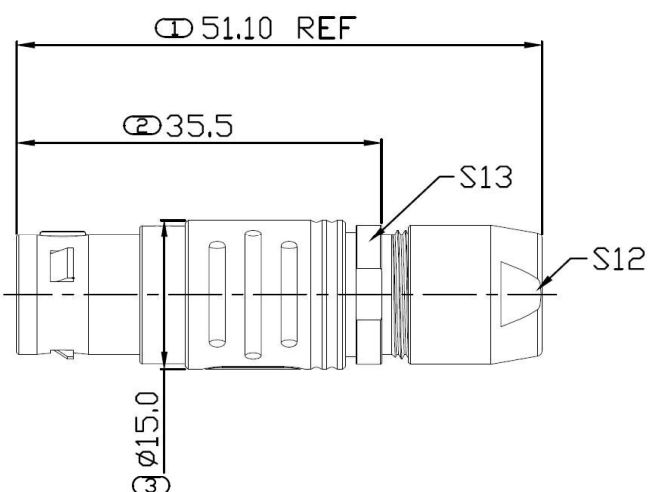

- 3.Protection garde: IP50  
 4.Operating temperature: -50°C to +200°C

Order Code:A-CPPB-XX-FGMS-GHB04  
 Number of Pins

Electrical character

Series	PIN Number (Solder)	Terminalø	Test voltage(KV rms)		Rated current(A)
			Pin-Pin	Pin-Shell	
02	2	2.0	2.10	1.75	30.0
03	3	1.6	2.40	1.85	17.0
04	4	1.3	1.85	1.85	15.0
05	5	1.3	1.75	1.60	14.0
06	6	1.3	1.35	1.45	12.0
07	7	1.3	1.75	1.60	11.0
08	8	0.9	1.50	1.25	10.0
10	10	0.9	1.45	1.30	8.0
12	12	0.7	1.25	1.35	7.0
14	14	0.7	1.15	1.35	6.5
16	16	0.7	0.95	1.25	6.0
18	18	0.7	0.85	1.20	5.5
19	19	0.7	0.95	1.25	5.0
26	26	0.5	0.95	1.30	2.0

G	RoHS compliant unit:mm	Scale	Free					Date	Name	Description: Circular Connector Push Pull Self Lock / Female	G	
		TOLERANCE						Drawn	15.09.2021			Peter
		.X	±0.50					Approved	04.03.2024	Luca		ASSMANN WSW-NO.
		.XX	±0.20									A-CPPB-XX-FGMS-GHB04
H		DIM	TOL							Drawing-No.	H	
				①	Update dimension	04.03.2024	Luca			ASS 9036 CO		rev01
		X.°	±2.0°	②	Drawn	15.09.2021	Peter			Customer-No.		SHEET 1 / 2
		.X°	±1.0°									
		Angle	TOL	Id.	modification	Date	Name					

	1	2	3	4	5	6	7																																																																																																		
A	<p><b>NOTE:</b></p> <p>1.MATERIAL:  1.1 Insulator: PPS  1.2 Terminal: Brass  1.3 Clamp: Riveted copper  1.4 Insulation clip: Brass  1.5 Locking sleeve: Riveted copper  1.6 Shell+tail cover: Brass</p> <p>2.MECHANICAL  2.1 Durability: 4500 cycles min</p> <p>3.Protection garde: IP50  4.Operating temperature: -50°C to +200°C</p> <p>Order Code:A-CPPB-XX-MGMS-GHB04</p> <p>Number of Pins</p>						Electrical character		A																																																																																																
B									<table border="1"> <thead> <tr> <th rowspan="2">Series</th> <th rowspan="2">PIN Number (Solder)</th> <th rowspan="2">Terminalø</th> <th colspan="2">Test voltage(KV rms)</th> <th rowspan="2">Rated current(A)</th> </tr> <tr> <th>Pin-Pin</th> <th>Pin-Shell</th> </tr> </thead> <tbody> <tr><td>02</td><td></td><td>2.0</td><td>2.10</td><td>1.75</td><td>30.0</td></tr> <tr><td>03</td><td></td><td>1.6</td><td>2.40</td><td>1.85</td><td>17.0</td></tr> <tr><td>04</td><td></td><td>1.3</td><td>1.85</td><td>1.85</td><td>15.0</td></tr> <tr><td>05</td><td></td><td>1.3</td><td>1.75</td><td>1.60</td><td>14.0</td></tr> <tr><td>06</td><td></td><td>1.3</td><td>1.35</td><td>1.45</td><td>12.0</td></tr> <tr><td>07</td><td></td><td>1.3</td><td>1.75</td><td>1.60</td><td>11.0</td></tr> <tr><td>08</td><td></td><td>0.9</td><td>1.50</td><td>1.25</td><td>10.0</td></tr> <tr><td>10</td><td></td><td>0.9</td><td>1.45</td><td>1.30</td><td>8.0</td></tr> <tr><td>12</td><td></td><td>0.7</td><td>1.25</td><td>1.35</td><td>7.0</td></tr> <tr><td>14</td><td></td><td>0.7</td><td>1.15</td><td>1.35</td><td>6.5</td></tr> <tr><td>16</td><td></td><td>0.7</td><td>0.95</td><td>1.25</td><td>6.0</td></tr> <tr><td>18</td><td></td><td>0.7</td><td>0.85</td><td>1.20</td><td>5.5</td></tr> <tr><td>19</td><td></td><td>0.7</td><td>0.95</td><td>1.25</td><td>5.0</td></tr> <tr><td>26</td><td></td><td>0.5</td><td>0.95</td><td>1.30</td><td>2.0</td></tr> </tbody> </table>				Series	PIN Number (Solder)	Terminalø	Test voltage(KV rms)		Rated current(A)	Pin-Pin	Pin-Shell	02		2.0	2.10	1.75	30.0	03		1.6	2.40	1.85	17.0	04		1.3	1.85	1.85	15.0	05		1.3	1.75	1.60	14.0	06		1.3	1.35	1.45	12.0	07		1.3	1.75	1.60	11.0	08		0.9	1.50	1.25	10.0	10		0.9	1.45	1.30	8.0	12		0.7	1.25	1.35	7.0	14		0.7	1.15	1.35	6.5	16		0.7	0.95	1.25	6.0	18		0.7	0.85	1.20	5.5	19		0.7	0.95	1.25	5.0	26		0.5	0.95	1.30	2.0	B
Series							PIN Number (Solder)	Terminalø	Test voltage(KV rms)		Rated current(A)																																																																																														
									Pin-Pin	Pin-Shell																																																																																															
02								2.0	2.10	1.75	30.0																																																																																														
03								1.6	2.40	1.85	17.0																																																																																														
04								1.3	1.85	1.85	15.0																																																																																														
05		1.3	1.75	1.60	14.0																																																																																																				
06		1.3	1.35	1.45	12.0																																																																																																				
07		1.3	1.75	1.60	11.0																																																																																																				
08		0.9	1.50	1.25	10.0																																																																																																				
10		0.9	1.45	1.30	8.0																																																																																																				
12		0.7	1.25	1.35	7.0																																																																																																				
14		0.7	1.15	1.35	6.5																																																																																																				
16		0.7	0.95	1.25	6.0																																																																																																				
18		0.7	0.85	1.20	5.5																																																																																																				
19		0.7	0.95	1.25	5.0																																																																																																				
26		0.5	0.95	1.30	2.0																																																																																																				
C							C																																																																																																		
D							D																																																																																																		
E							E																																																																																																		
F							F																																																																																																		
G	RoHS compliant unit:mm		Scale	Free		Date	Name	Description: Circular Connector Push Pull Self Lock / Male																																																																																																	
			TOLERANCE		Drawn	15.09.2021	Peter																																																																																																		
			.X	±0.50				ASSMANN WSW-NO. A-CPPB-XX-MGMS-GHB04																																																																																																	
			.XX	±0.20	Approved	04.03.2024	Luca																																																																																																		
			DIM	TOL				Drawing-No. ASS 9036 CO rev01																																																																																																	
H					①	Update dimension	04.03.2024		Luca																																																																																																
			X.°	±2.0°	②	Drawn	15.09.2021	Peter																																																																																																	
			.X.°	±1.0°																																																																																																					
			Angle	TOL	Id.	modification	Date	Name																																																																																																	
							Customer-No.		SHEET 2 / 2																																																																																																
	1	2	3	4	5	6	7	SV4471																																																																																																	